

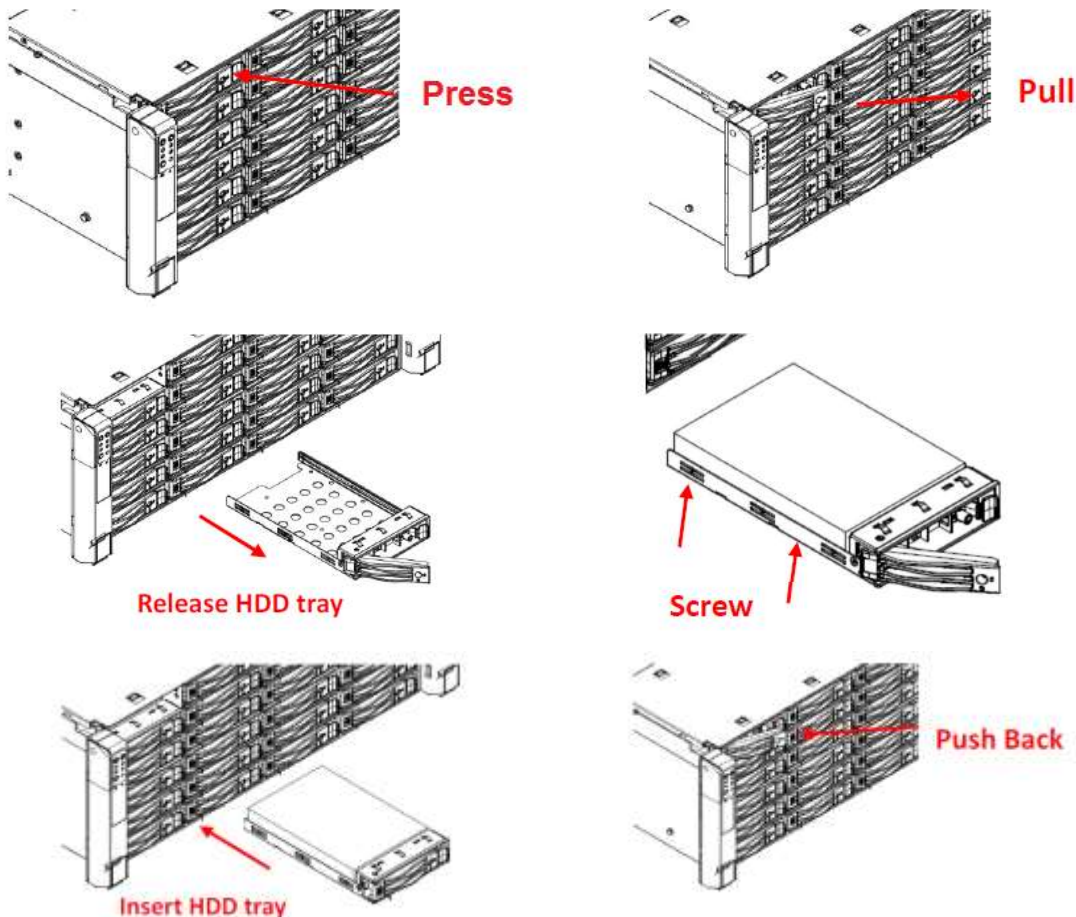
SANS Digital RS-Series RS424X12S Quick Installation Guide

Overview: Sans Digital EliteSTOR 12G SAS expander series is a storage rackmount enclosure with 12G SAS expander build-in to the unit. Using with 12G SAS host bus adapter (HBA) or 12G SAS RAID controller, Sans Digital EliteSTOR 12G SAS expander series can easily upgrade your storage infrastructure's performance and instantly increase your storage sizes.

In this quick installation guide, it will cover the hard drive installation, product connection diagram, and basic enclosure information and status LED information

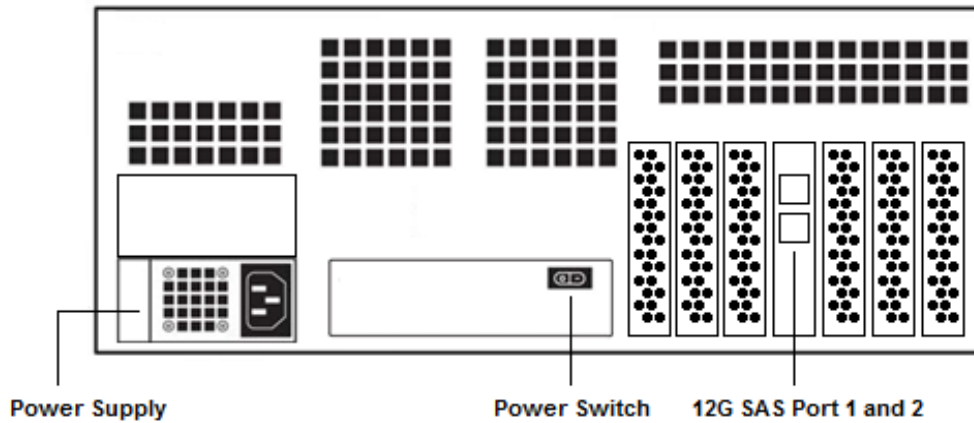
Hard Drive Installation

1. Push the Blue release button to the left to release the hard drive tray handle.
2. Pull on the tray handle to remove the tray from the enclosure.
3. Place a hard drive into the tray and line it up with the holes on the BOTTOM of the hard drive tray.
4. Fasten the hard drive to the tray using the provide screws and a Philips screw driver.
5. Place the tray back into the enclosure and lock the tray by pushing in the tray handle until it clicks into place.

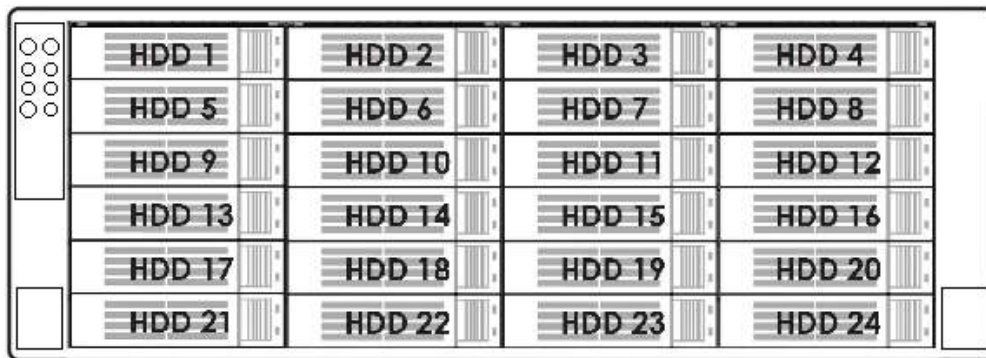


Product Diagram

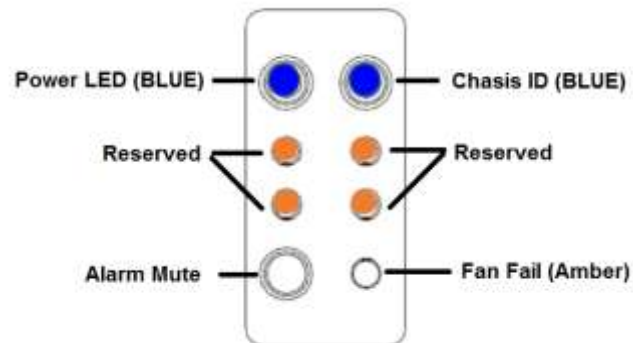
Unit Backplane



Hard Drive Locations

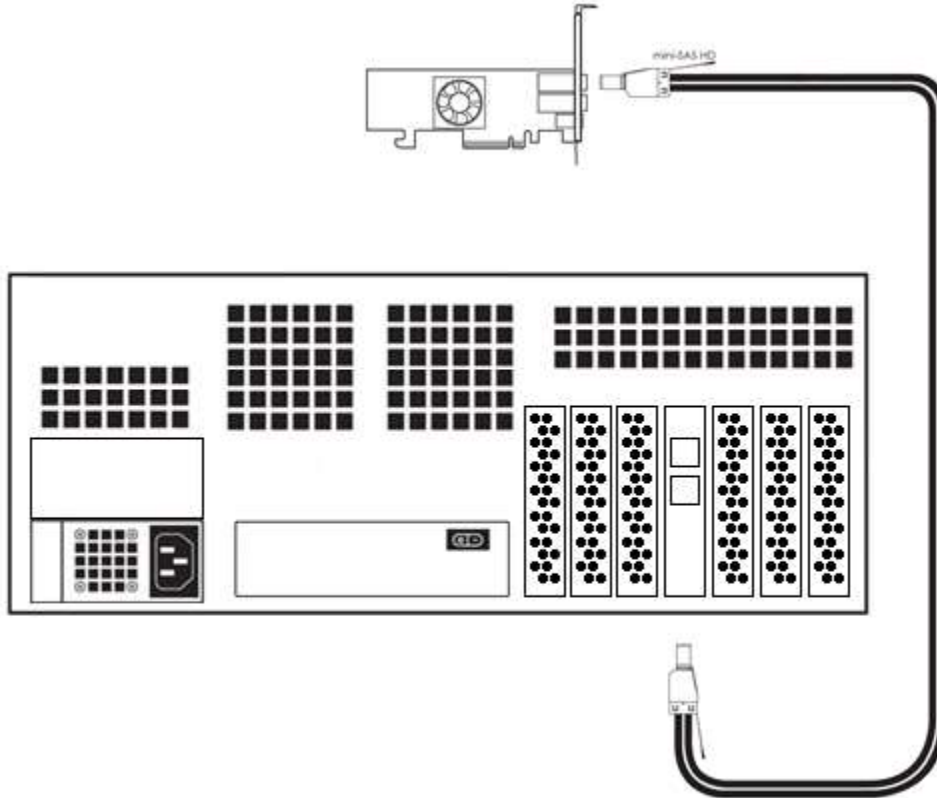


Front Panel LED Indicator

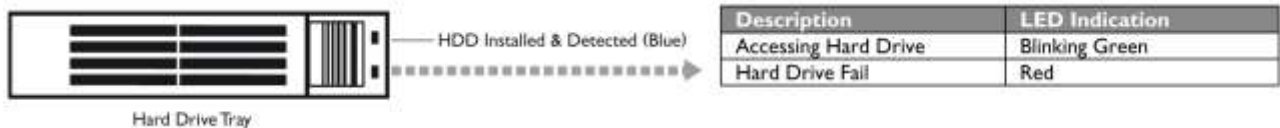


Installation Diagram

1. Install the PCIe RAID card or HBA into an available PCIe slot on the host computer.
2. Connect the mini-SAS HD cable into port of the PCIe RAID card's SAS port.
3. Attached the other end of the mini-SAS HD cable into the Sans Digital SAS enclosure mini-SAS HD port.
4. Power on the SAS enclosure then power on the host computer.
5. Wait for the host computer to boot and follow the RAID controller instructions to install the drivers and RAID management software.
6. The connected hard drives will display under RAID controller's management interface, or disk management/utilities for HBA cards.



Drive LED information (Hard Drive Tray)



Fan Fail LED information (Front Panel)

When the internal cooling fan malfunctions, the front fail LED will blink and the alarm will go off.

Description	Alarm Buzzer	Fail LED
Cooling Fan Failure	Beeping Sound	Blinking Amber

Note: Pressing down the 'NMI' (Alarm Reset) button temporarily silences the alarm. Alarm will start buzzing again once the unit has been restarted.