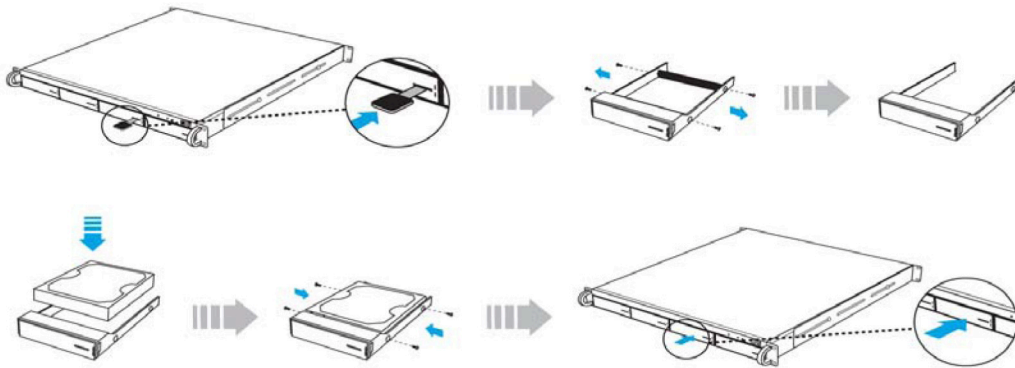


# ER316I+BS Quick Installation Guide

## Hard Drive Installation

1. Press the key (included in the package) into the lock slot located at the front of the hard drive tray until the tray handle unlocks.
2. Pull on the tray handle to remove the tray from the enclosure.
3. Dismount the plastic tray protector rods by removing the screws on the sides of the tray.
4. Place the hard drive in the tray, and fasten it with the screws (included in the package) in corresponding locations.
5. Place the tray back into the enclosure and lock the tray by pushing in the tray handle.



## Management Methods

There are three management methods to manage EliteRAID and TowerRAID iSCSI Series, describe in the following:

### Web GUI

EliteRAID and TowerRAID iSCSI Series support graphic user interface to manage the system. Be sure to connect LAN cable. The default setting of management port IP is DHCP.

Type the IP address in the web browser.

Click any function at the first time; it will pop up a dialog to authenticate current user.

Login name: admin  
Default password: 0000

Or login with read-only account which only allows reading the configuration and cannot change setting.

Login name: user  
Default password: 1234

## Console Serial Port

Use NULL modem cable to connect console port.

The console setting is baud rate: 115200, 8 bits, 1 stop bit, and no parity.

Terminal type: vt100

Login name: admin

Default password: 0000

## Remote Control – Secure Shell

SSH (secure shell) is required for controllers to remote login. The SSH client software is available at the following web site:

SSHWinClient WWW: <http://www.ssh.com/>

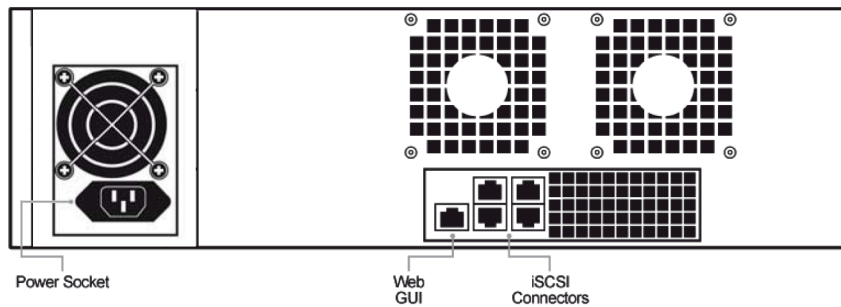
Putty WWW: <http://www.chiark.greenend.org.uk/>

Host name: 192.168.0.1 (Default IP address: 192.168.0.1.)

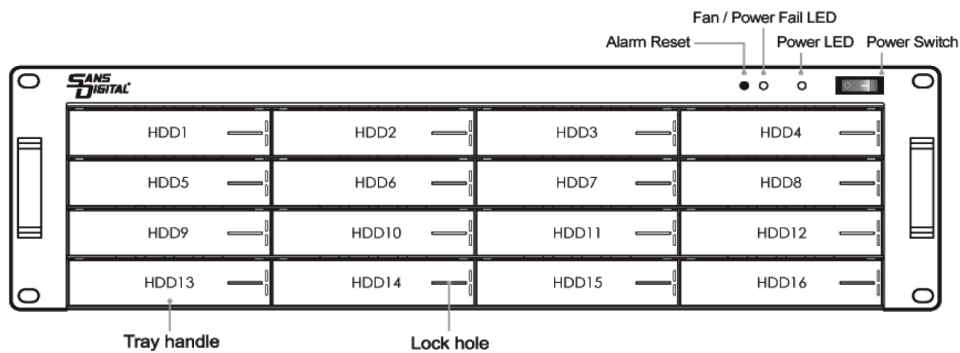
Login name: admin

Default password: 0000

## Unit Back Panel



## Hard Drive Locations



## Redundant Power Supply

The redundant power supply feature consists of hot-swappable power supply modules. If one of the power modules fails, the remaining working modules will continue to provide power to the unit so users do not experience downtime. A replacement power supply could be installed while the unit is running. Once the replacement power supply has been installed, the unit will regain its redundant power feature.

Note: Power must be supplied to all power supply modules in order for the redundant feature to operate correctly.

## Fan/Power Fail LED Information (Front Panel)

When the power supply modules or internal cooling fan malfunction, the front fail LED will blink and the alarm will go off. Please see below table:

Description	Alarm Buzzer	Fail LED
Power supply failure	Always on	Blinking red
Cooling fan failure	Beep with one second interval	Blinking red

Note: Pressing down the 'Alarm Reset' button temporarily silences the alarm. Alarm will start buzzing again once the unit has been restarted.