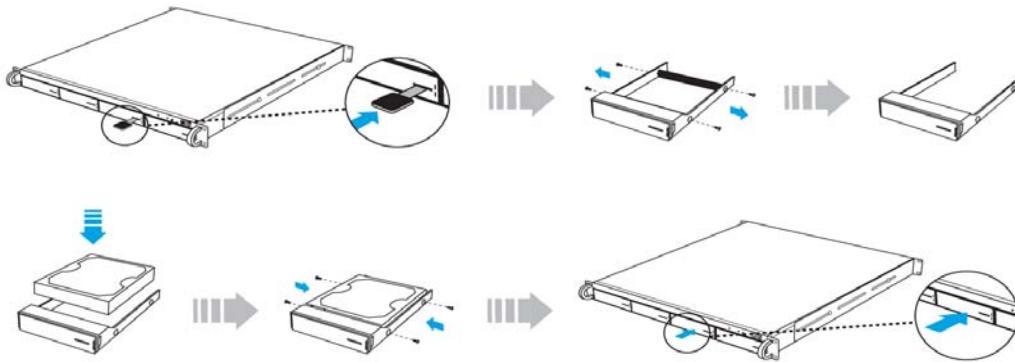


ES424X6+B Quick Installation Guide

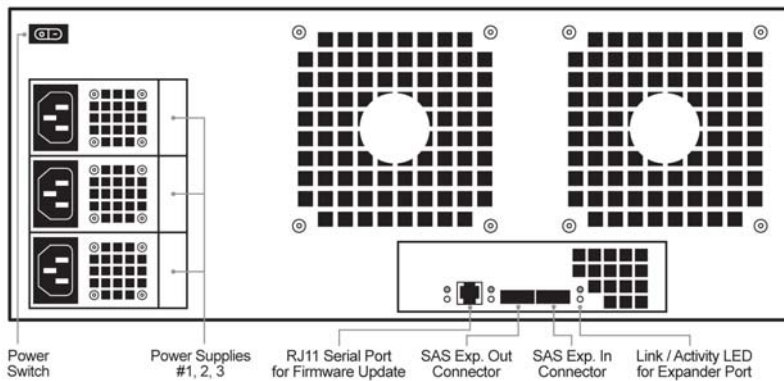
Hard Drive Installation

1. Press the key (included in the package) into the lock slot located at the front of the hard drive tray until the tray handle unlocks.
2. Pull on the tray handle to remove the tray from the enclosure.
3. Dismount the plastic tray protector rods by removing the screws on the sides of the tray.
4. Place the hard drive in the tray, and fasten it with the screws (included in the package) in corresponding locations.
5. Place the tray back into the enclosure and lock the tray by pushing in the tray handle.

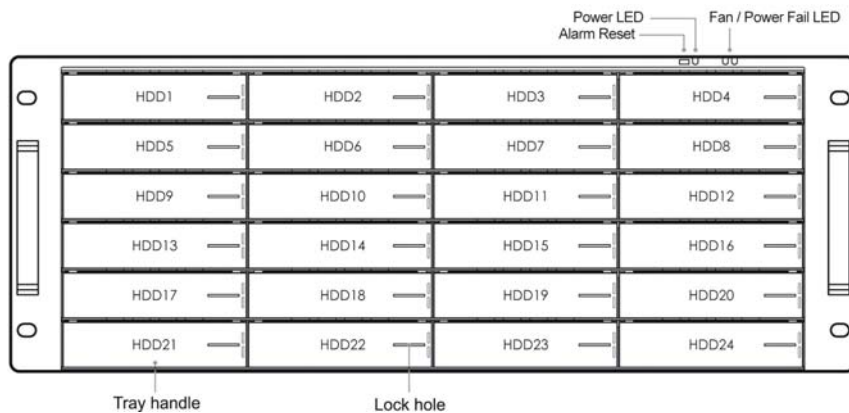


Product Diagrams

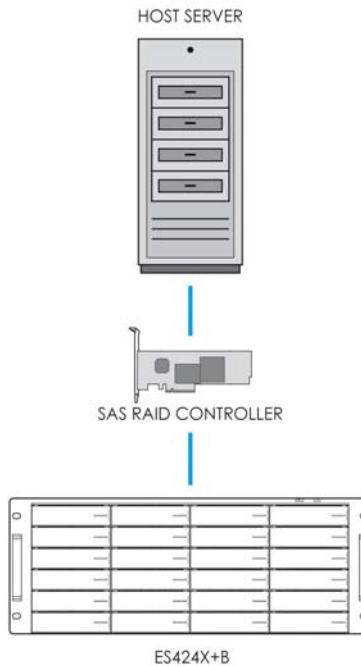
Unit Backplane



Hard Drive Locations



Connection Diagram



Redundant Power Supply (Optional)

The redundant power supply feature consists of hot-swappable power supply modules. If one of the power modules fails, the remaining working power supply modules will continue to provide power to the unit so users do not experience downtime. A replacement power supply could be installed while the unit is running. Once the replacement power supply has been installed, the unit will regain its redundant power feature.

Note: Power must be supplied to all power supply modules in order for the redundant feature to operate correctly.

Fan/Power Fail LED Information (Front Panel)

When the power supply modules or internal cooling fan malfunctions, the front fail LED will blink and the alarm will go off. Please see table below:

Description	Alarm Buzzer	Fail LED
Power supply failure	Always on	Blinking red
Cooling fan failure	Beep with one second interval	Blinking red

Note: Pressing down the 'Alarm Reset' button temporarily silences the alarm. Alarm will start buzzing again once the unit has been restarted.