

ACCURAIID ISCSI 1/5 SERIES QUICK START GUIDE

BEFORE YOU BEGIN

Package Content

System Chassis (x1)		Disk Drive Trays
		(x24 LFF ¹) for 4U 24-bay (x16 LFF) for 3U 16-bay (x12 LFF) for 2U 12-bay (x26 SFF ²) for 2U 26-bay 
AC Power Cords (x2)	RS-232 Console Cable	Screws Pack for Disk Drives
	(x2) for dual controller model (x1) for single controller model 	
This Quick Installation Guide		

Default Setting

The following are default:

Management IP: DHCP
Username: admin
Password: 0000

Prepare for Installation

Before installing your storage system, it is highly recommend that you have below information for quick reference:

- System name
- Admin password
- NTP server address
- Management IP address at controller 1
- DNS server address

INSTALL DISK DRIVES

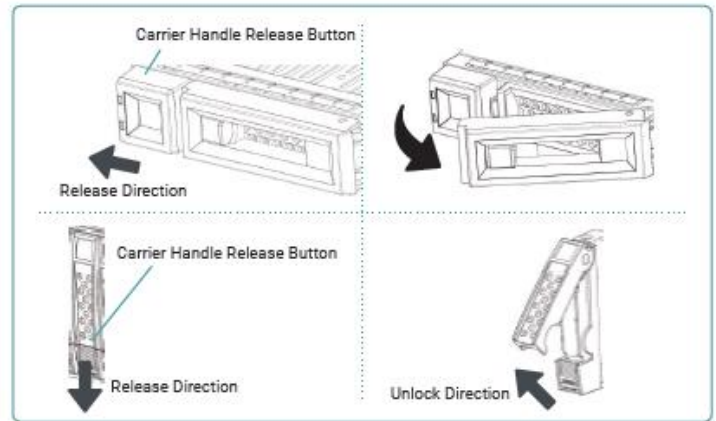
Unlock the Disk Drive Tray

- The standard position of the disk drive tray is locked to prevent damage during transport.
- To unlock 3.5" LFF or 2.5" SFF disk drive tray: shift the release button lock from left to right.



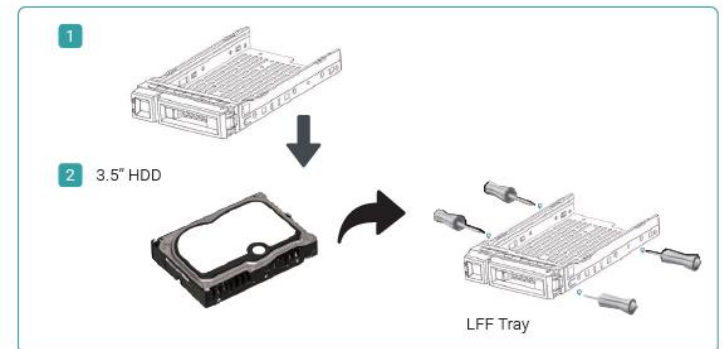
Open the Carrier Handle of a Disk Drive Tray

- The procedure of opening an LFF disk drive tray carrier handle: shift the carrier handle release button from right to left; then carrier handle will automatically pop out.
- Open an SFF disk drive tray carrier handle: shift the carrier handle release button from up to down; then carrier handle will automatically pop out.



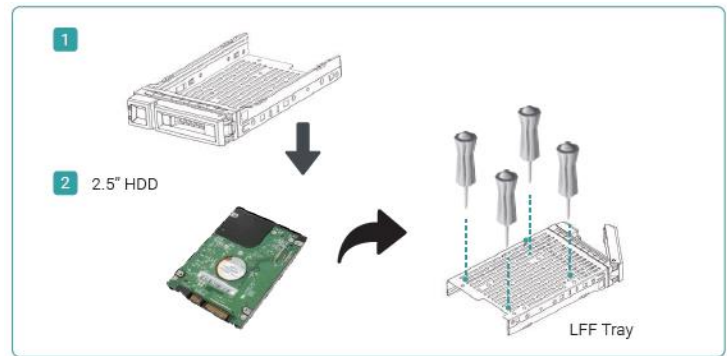
Install an LFF Disk Drive into an LFF Tray Drive Tray

1. Place a disk drive tray onto a stable surface.
2. Align the disk drive to the tray (with disk connector facing away from carrier handle) and align the four disk drive tray screw hole located on both sides of the hard drive.
3. Install and tighten all four screws to secure the disk drive within the tray.



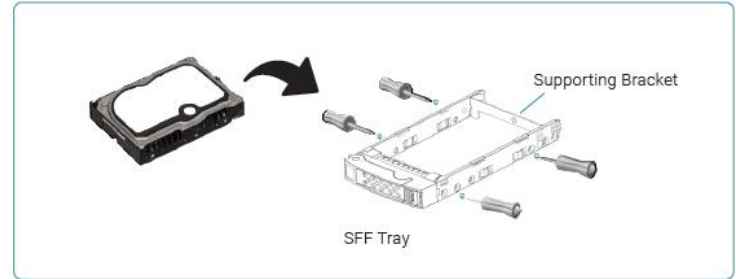
Install an SFF Disk Drive into an LFF Tray

1. Place a disk drive tray onto a stable surface.
2. Align the disk drive to the tray with the connector facing away from the carrier handle.
3. Align the four disk drive tray screw holes (front row at the bottom side of the tray for SAS interface disk drive; a rear row for SATA interface SSD) to the disk drive.
4. Install and tighten all four screws to secure disk drive.



Install an SFF Disk Drive into an SFF Tray

1. Place a disk drive tray onto a stable surface.
2. Remove the supporting bracket. Then align the disk drive with the connector facing away from the carrier handle.
3. Align the four disk drive tray screw holes on both sides of the disk tray.
4. Install and tighten all four screws to secure disk drive within the tray.



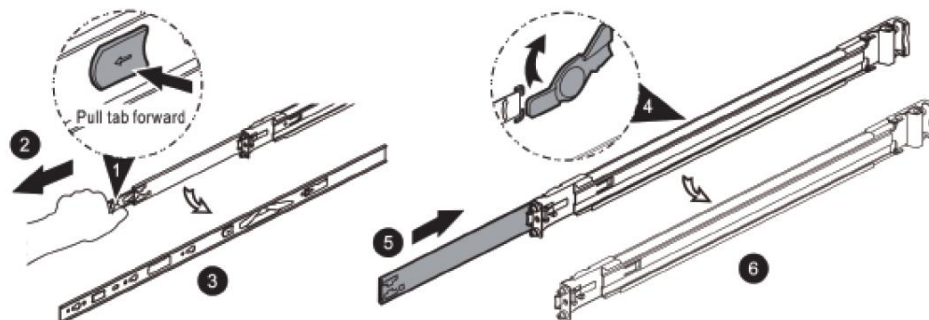
Install the Tray with the Disk Drive into the System Chassis

- Users must open the carrier handle of a drive tray before installing it into the empty bay of the system chassis.
- The following is the procedure for installing a disk drive with the tray into the system for both LFF and SFF disk drive trays:
 1. Align a disk drive with the tray to the empty bay you would like to install and then push it all the way into the disk drive bay until the carrier handle can be closed.
 2. Lock the release button lock by pushing the lock from right to left.
- Refer to the label on the system chassis for disk drive numbering. The disk drive numbering for system will be printed on the chassis.

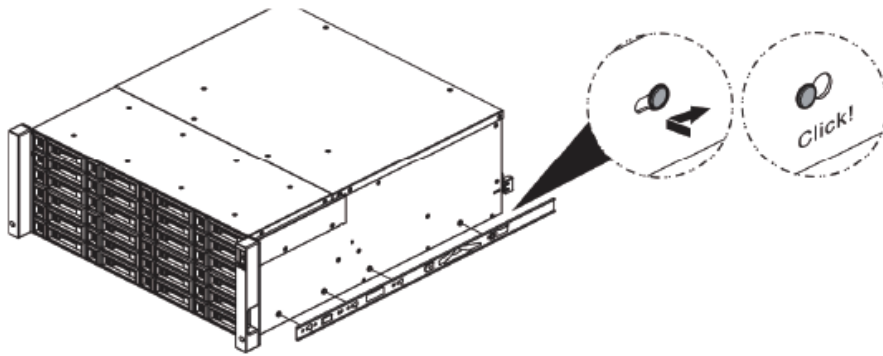


INSTALL OPTIONAL RAIL KIT

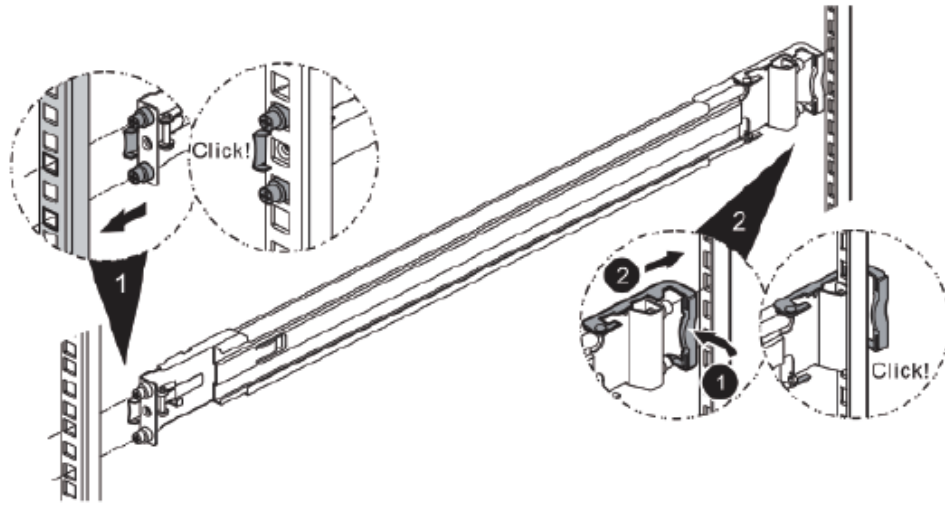
1. Pull the inner rail out and slide the intermediate member back.



2. Install the inner rail onto the chassis.

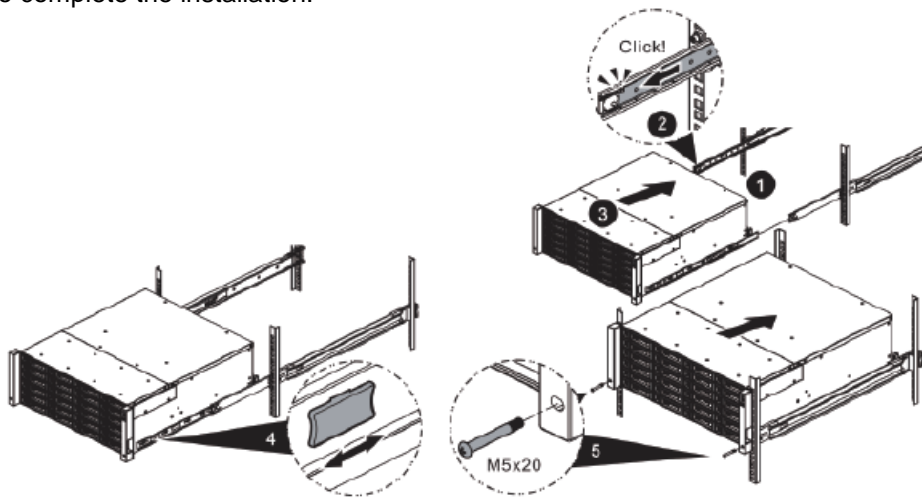


3. Install the outer rail / bracket assembly to the frame.



* Please repeat the installation steps for the other side.

4. Insert the chassis to complete the installation.



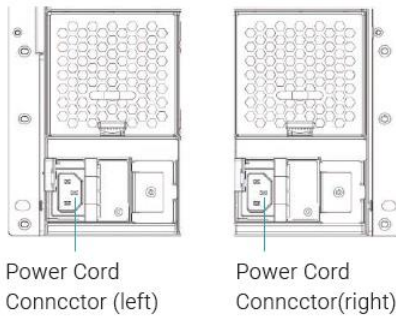
POWER ON THE STORAGE SYSTEM

Connect the Power Cables

1. Connect power cables from each power supply module to a power source.
2. Make sure to secure the power cables the power supply modules so they cannot be pulled out accidentally.

Power on the System Components

1. Power on any network switches, routers, or other standalone components.
2. Power on any expansion enclosures that might be a part of the system.
3. Power on the AccuRAID system by pressing the power button on the front of the system.



TIP: Please wait for the controller status LED to turn green on the rear of the chassis before attempting to discover or manage the storage system. It may take a couple minutes to boot the AccuRAID system.

4. See the diagram below to determine the meaning of the lights and indicators on the front of the system.



1. System Power Button / LED
2. UID (Unique Identifier) Button / LED
3. System Access LED
4. System Status LED
5. USB Port

DISCOVER AND SETUP THE SYSTEM

Discover the System

The default setting for the management IP address is DHCP. We provide the RAIDFinder Java utility to search for AccuRAID iSCSI products on the network and provide quick access to the login page of the AccuRAID iSCSI web interface.

RAIDFinder Utility

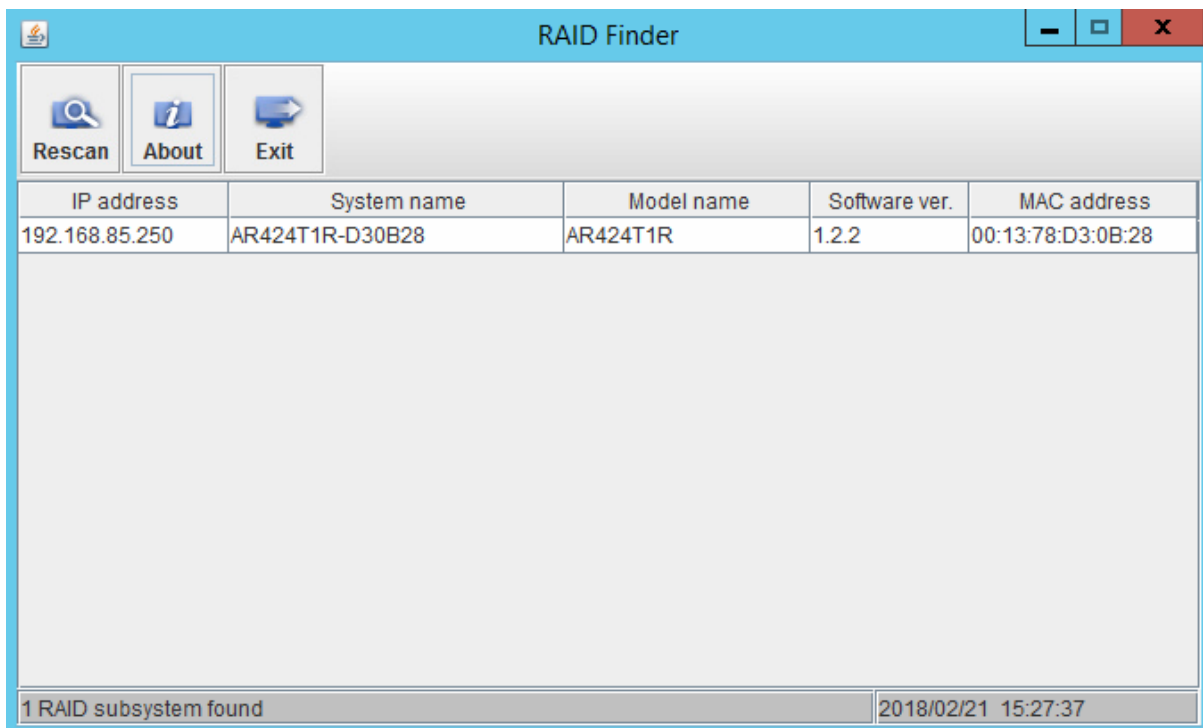
To download RAIDFinder, please go to www.sansdigital.com or copy it from the manual/utilities CD.

RAIDFinder is a Java based program. To execute this program, JRE (Java Runtime Environment) is required. You can visit the following website to download and install JRE: <http://www.java.com/en/download/>

After JRE is installed, run the RAIDFinder.jar program. The AccuRAID storage system in your network will be detected and listed in the table.

Select the system you are looking for. Double clicking the selected entry will automatically bring up the browser and display the login page.

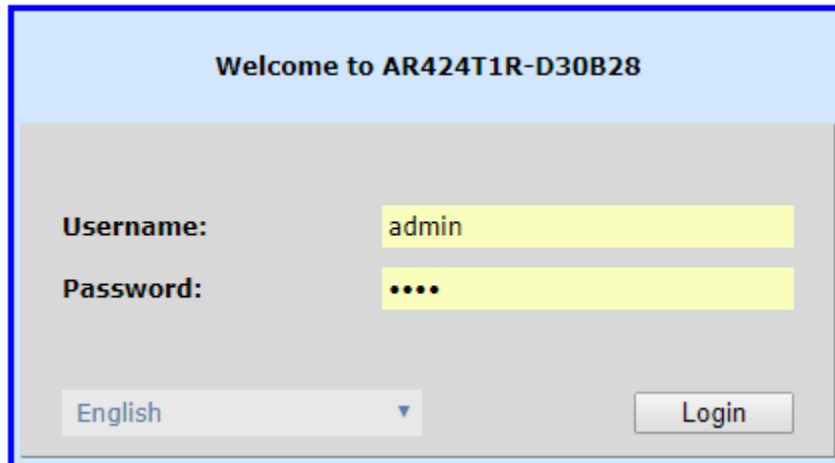
TIP: If the LAN doesn't have a DHCP server, the management port will be assigned a fix IP address: 169.254.1.234/16. So you can configure the IP address of your management computer to the same subnet domain of the storage system, e.g.: 169.254.1.1/16. Then open a browser and enter <http://169.254.1.234> to go into the login page.



INITIAL SETUP

The Initial configuration wizard will guide the first time user to initialize and setup the system quickly.

1. To access the SANOS web interface, you have to enter a username and password. The initial defaults for the administrator login are:
 - Username: admin
 - Password: 0000



Welcome to AR424T1R-D30B28

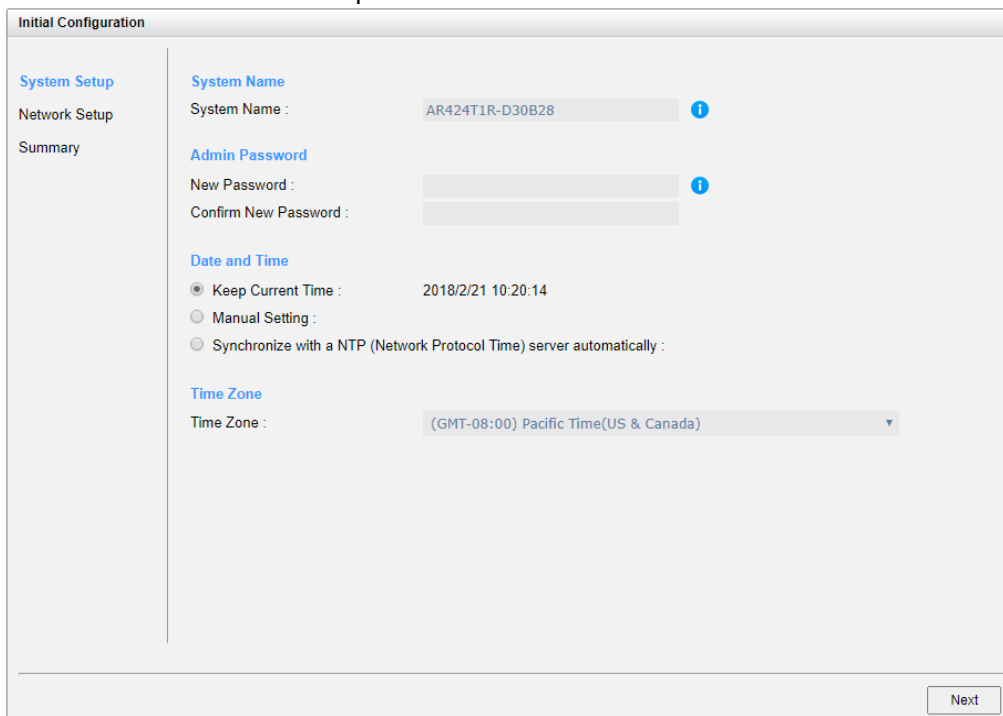
Username: admin

Password: ••••

English

Login

2. Enter System information as below:
 - Enter a System Name.
 - Change Admin Password.
 - Set the local Date and Time. Date and time can be set by manually or synchronized with a NTP (Network Time Protocol) server.
 - Select a Time Zone depending on your location.
 - Click the Next button to proceed.



Initial Configuration

System Setup

System Name

System Name : AR424T1R-D30B28

Admin Password

New Password :

Confirm New Password :

Date and Time

Keep Current Time : 2018/2/21 10:20:14

Manual Setting :

Synchronize with a NTP (Network Protocol Time) server automatically :

Time Zone

Time Zone : (GMT-08:00) Pacific Time(US & Canada)

Next

3. Enter Management Port Information

- Confirm or change the management port IP address and DNS server.
- Click the Next button to proceed.

The screenshot shows the 'Initial Configuration' window with the 'Network Setup' tab selected. Under 'Management Port IP Address on Controller 1', the 'Static IP Address' option is selected. The IP Address is 192.168.1.234, Subnet Mask is 255.255.255.0, and Gateway is 192.168.1.254. Under 'DNS Server Address', the 'Use the following DNS server addresses' option is selected, with a Preferred DNS Server of 8.8.8.8. The 'Back' and 'Next' buttons are visible at the bottom right.

4. Verify all items, and then click the Finish button to complete the initial configuration. You have to login with the new IP address of the management port and new admin password next time.

The screenshot shows the 'Initial Configuration' window with the 'Summary' tab selected. The settings are as follows:

Category	Item	Value
System Setup	System Name	AR424T1R-D30B28
	Date and Time	Keep Current Time
	Time Zone	(GMT-08:00) Pacific Time(US & Canada)
Network Setup	Management Port Type	DHCP
DNS Server Address	DNS Server	127.0.0.1

Please click the Finish button to take effect, and then login as new IP address of management port and new admin password.

The 'Back' and 'Finish' buttons are visible at the bottom right.

Host Configuration and Storage Management

After initial setup, the next step is to configure the specific storage settings for your requirement. For more information about managing the storage, please refer to the AccuRAID iSCSI SANOS User's Manual which can be downloaded from www.sansdigital.com