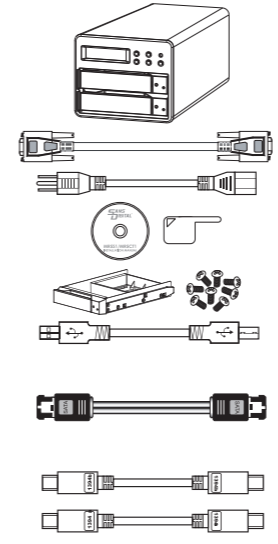




**Package Contents**

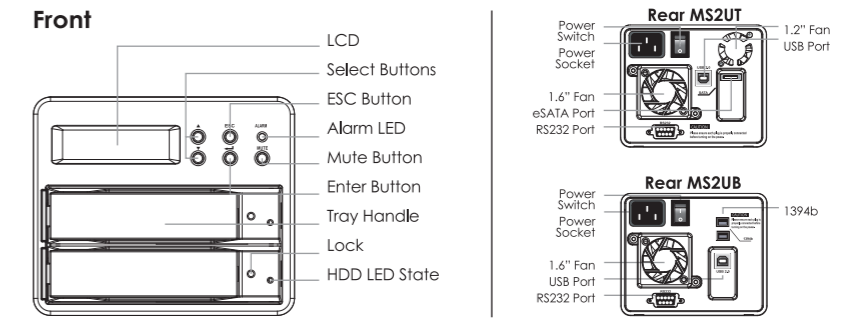
- Included**
- MS2UT/MS2UB ..... 1
  - RS232 Cable ..... 1
  - Power Cord ..... 1
  - Manual ..... 1
  - HD Tray Keys ..... 2
  - Removable Tray Modules(Screws Included) ..... 2
  - USB 2.0 Cable ..... 1
- MS2UT Only**
- eSATA Cable ..... 1
- MS2UB Only**
- 1394b Cable ..... 1
  - 1394b to 1394a Cable ..... 1
- (Please contact us in case of missing or damaged items.)



**NOTE** Read carefully before using the MS2UT/MS2UB Series Unit:

1. You can use two different drives in the MS2UT/MS2UB, but we highly recommend using HDD's with the same brand name to get optimal performance. If two drives are different, the total capacity will be equal to twice of the smallest drive's capacity.
2. New hard drives are highly recommended, otherwise a bad hard drive can cause RAID failure and loss of data.

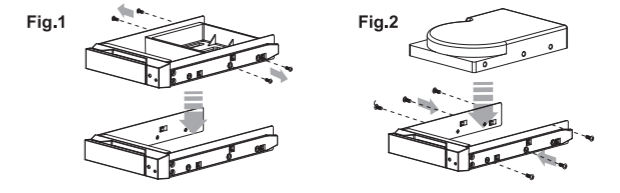
**Hardware Installation**



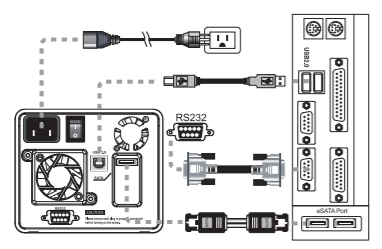
**Buzzer On/Off Switch:**  
Press the mute button to disable the buzzer/alarm function. Press the button again to enable the buzzer/alarm function. (The alarm LED will display red when the buzzer/alarm function is disabled.)

**Installing a Hard Drive in the Removable Tray Module**

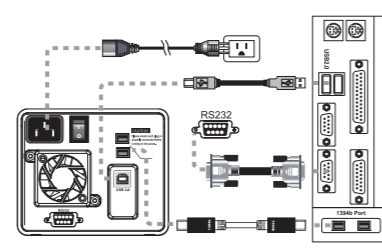
1. Press the key (included with this unit) into the lock hole located at the front of the unit. Pull handle and remove tray.
2. Demount the plastic tray protector by removing the screws in the illustration below Fig.1.
3. Fasten the Hard Drive with the screws (included with this unit) in the corresponding locations in illustration Fig.2.. Place the tray with the mounted HDD back into the case.



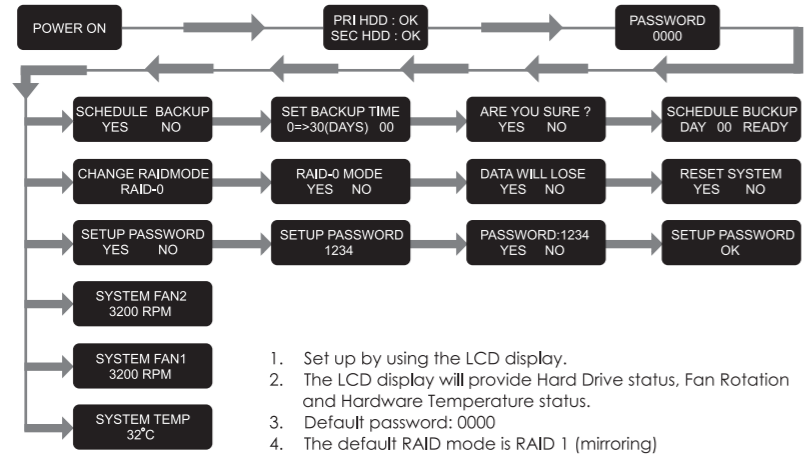
**Connecting the MS2UT to your Computer**



**Connecting the MS2UB to your Computer**



**RAID Setup**



**RAIDGuide RAID Manager**

RAIDGuide RAID Manager is software that monitors the MS2UT/MS2UB. Using a PC serial port, you can receive MS2UT/MS2UB system information through your computer screen. This information includes system status, hard disk status (hard disk failure/ hard disk detection) and rebuilding progress.

- Features:**
1. Supports up to two MS2UT/MS2UBs simultaneously.
  2. Supports e-mail notification when hard disk failure or system failure occurs.
  3. Supports PC speaker alarm and plays wav or midi file when failure occurs.
  4. Supports 20 users multi-remote RAID system monitor.
  5. Hide in tray and restore window when failure occurs.
  6. Failure detection of fan, temperature, hard disk & system status.

**RAIDGuide Minimum Requirements:**

Hardware	Specification
Microprocessor	Pentium
Memory	64MB
Available Serial Port	1
Hard Disk Space	10MB
Screen Resolution(Suggestion)	800 x 600
Operation System	Windows, Me, 2000, XP and NT

**How to Install**

Place the RAIDGuide RAID Manager CD-Rom disc in your CD-Rom device and run setup at the RAIDGuide folder to start the program. you can chose the folder to install it or use the default path. You can start the program after the installation of the RAIDGuide Manager software is completed.

**Note:** A detailed User's Manual is included in the CD-Rom disc.

**Other Sans Digital Products**

- MS1UT**
  - **3.5" Hard Drive Enclosure with Removable Tray**
  - Dual Host Interface: USB 2.0 and eSATA.
  - Supports High Performance SATA Hard Drives.
  - Ultra Quiet Operation.
  - Vertical Placement Stand Included.
  - Durable Aluminum Housing.
  - Both Mac OS X and Windows Supported.
- MS2C1/MS2U1/MS2T1**
  - **2 Bay External RAID/JBOD Enclosure**
  - Hardware RAID Engine, supports RAID 0 and JBOD.
  - Triple Host Interface: USB 2.0, FireWire 400 & Firewire 800.
  - Drive Interface: 2x 3.5" SATA I/ SATA II Hard Drives.
  - Removable trays for fast access of additional hard drives.
  - OS independent with plug and play capability.
  - Also available in JBOD version with USB 2.0 (MS2U1) & eSATA (MS2T1).
- MS4B/MS4T/MS4UM**
  - **4-Bay External RAID/JBOD Enclosure**
  - Support JBOD for independent access up to four hard drives.
  - 1394b x 2 (MS4B), eSATA x 4 (MS4T), USB 2.0 & Port Multiplier (MS4UM).
  - Drive Interface: 4 x 3.5" SATA I/ SATA II Hard Drives.
  - RAID supported in MS4B (RAID 0) and MS4UM (software RAID 0, 1, 0+1, 5, 5 + spare in Windows).
  - OS independent with plug and play capability.
- MR5S1/MR5CT1**
  - **5-Bay External RAID 6 Enclosure**
  - Hardware RAID Design, supports RAID 0, 1, 0+1, 3, 5, 6, JBOD & Hot Spare Disk.
  - SCSI Ultra 320 (MR5S1)/ USB 2.0, Firewire 800 & eSATA (MR5CT1).
  - Drive Interface: 5 x 3.5" SATA I / SATA II Hard drives.
  - Hot-Swappable Tray Design.
  - Hard disk, fan and temperature failure detectors.

T: 1.800.980.1988 F: 1.562.949.3328 E: INFO@SANSDIGITAL.COM W: WWW.SANSDIGITAL.COM