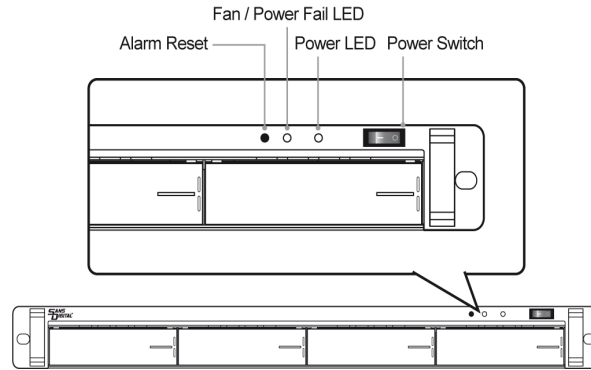


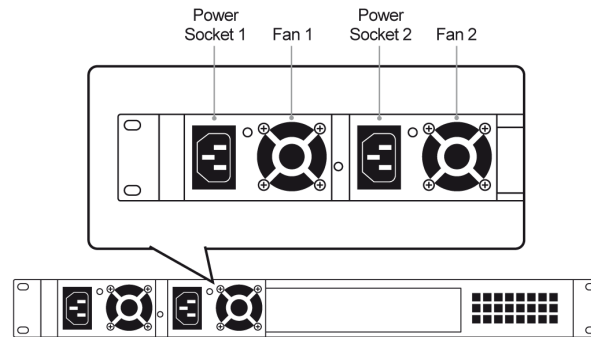
# Redundant Power Supply

The redundant power supply feature consists of 2 hot-swappable power supply modules. If one of the power modules fails, the remaining working module will continue to provide power to the unit so users do not experience downtime. A replacement power supply could be installed while the unit is running. Once the replacement power supply has been installed, the unit will regain the redundant power feature.

## Front Diagram



## Back Diagram



Note: Power must be supplied to both power supply modules in order for the redundant feature to operate correctly.

## Fan/Power Fail LED Information

When the power supply modules or internal cooling fan malfunction, the front fail LED will blink and the alarm will go off. Please see below table:

Description	Alarm Buzzer	Fail LED
Power supply failure	Always on	Blinking red
Cooling fan failure	Beep with one second interval	Blinking red

Note: Pressing down the 'Alarm Reset' button temporarily silences the alarm. Alarm will start buzzing again once the unit has been restarted.