

SANS DIGITAL END USER LICENSE AGREEMENT

This End User License Agreement ("Agreement") is a legal agreement between Sans Digital, and you ("Licensee") the subject matter of which is SANS DIGITAL's Network Attached Storage or Network Storage Solution products and any applicable updates or upgrades thereto ("Product") and which may include associated media and printed or electronic (retrievable via computer networks such as the Internet or otherwise) materials ("Documentation") (collectively referred to herein as "Product"). By breaking any seal on the Product, installing, copying or otherwise using the Product ("Licensee's Acceptance") Licensee agrees to be bound by the terms and conditions of this Agreement. If Licensee does not agree to the terms and conditions of this Agreement, Licensee must not install, copy or otherwise use the Product and shall promptly return the Product to the place of purchase for a refund of the purchase price, if any.

1. Grant of License. Subject to the terms and conditions of this Agreement and Licensee's acceptance thereof, SANS DIGITAL hereby grants to Licensee and Licensee hereby accepts a personal, non-transferable, non-exclusive license (which shall be revocable pursuant to the terms of this Agreement) to use the Product according to its merchantable purpose and pursuant to the terms and conditions of this Agreement.

2. Network License. Licensee may provide access to the Product for its employees and other applicable users, subject to each of such users understanding and complying with the terms and conditions of this Agreement. Licensee may not, nor any of its employees nor other applicable users, make a copy of the operating system and its related software applicable to the Product.

3. Limitations and Restrictions. Except as expressly permitted herein, Licensee may not: (i) copy, alter, adapt, modify, translate, or create derivative works of the Product or any portion thereof; (ii) reverse engineer, decompile, disassemble, or attempt to derive the source code of the Product or any portion thereof, unless and only to the extent any of the foregoing is expressly permitted by applicable law and may not be restricted thereunder; (iii) separate the Product into component parts for transfer to or use by a third party; (iv) rent, lease, loan, sell, distribute, sublicense or lend the Product; (v) remove, alter or obscure any proprietary notices; or (vi) otherwise use the Product.

4. Reservation of Rights. SANS DIGITAL does not grant and Licensee does not obtain any implied licenses under this Agreement. SANS DIGITAL reserves all rights, title and interests of any kind that are not expressly granted to Licensee in this Agreement.

5. Intellectual Property Rights. SANS DIGITAL retains title to and all ownership interests in all proprietary rights, including without limitation copyrights, trademark rights, patent rights, trade secret rights, and any other intellectual or industrial property rights throughout the world ("IPR"), with respect to the Product and all copies or portions thereof, whether or not incorporated into or used in connection with any other products, including without limitation software or documentation materials. Licensee acknowledges that the Product is licensed and not sold under this Agreement, that nothing in this Agreement shall constitute or be construed to constitute a sale of the Product or any portion or copy thereof and that no title to or ownership interest in any rights, including without limitation IPR, with respect to the Product or any components thereof is transferred to Licensee.

6. DISCLAIMER OF WARRANTY. THE PRODUCT IS PROVIDED "AS IS" WITHOUT ANY WARRANTY OF ANY KIND. SANS DIGITAL MAKES NO REPRESENTATION OR WARRANTY OF ANY KIND, WHETHER EXPRESS OR IMPLIED (EITHER IN FACT OR BY OPERATION OF LAW), WITH RESPECT TO OR RELATING TO THE PRODUCT OR THIS AGREEMENT. SANS DIGITAL EXPRESSLY DISCLAIMS ALL IMPLIED WARRANTIES, INCLUDING, WITHOUT LIMITATION, ALL WARRANTIES OF ACCURACY, MERCHANTABILITY, FITNESS FOR A PARTICULAR PURPOSE, OR NON-INFRINGEMENT AND ALL WARRANTIES THAT MAY ARISE FROM COURSE OF DEALING, COURSE OF PERFORMANCE OR USAGE OF TRADE. SANS DIGITAL DOES NOT WARRANT THAT THE PRODUCT WILL BE ERROR-FREE OR THAT OPERATION OF THE PRODUCT WILL BE UNINTERRUPTED, AND HEREBY DISCLAIMS ANY AND ALL LIABILITY ON ACCOUNT THEREOF. SANS DIGITAL MAKES NO WARRANTY THAT ALL ERRORS, FAILURES OR DEFECTS WILL BE CORRECTED. THIS SECTION 6 SHALL BE ENFORCEABLE TO THE MAXIMUM EXTENT ALLOWED BY APPLICABLE LAW. Some jurisdictions prohibit the exclusion of implied warranties or limitations on how long an implied warranty may last, so the above limitations may not apply fully to Licensee. In this case Licensee's sole and exclusive remedy for a breach of warranty shall be, at SANS DIGITAL's option and in its sole discretion, replacement or repair of the Product or return thereof for a refund of the purchase price, if any. Such remedy shall be available to Licensee for one (1) year commencing on the date of Licensee's Acceptance and ending on the first anniversary thereof.

7. LIMITATIONS OF LIABILITY. IN NO EVENT SHALL SANS DIGITAL, ITS AFFILIATES OR SUPPLIERS BE LIABLE TO LICENSEE, ITS AFFILIATES OR CUSTOMERS FOR ANY INCIDENTAL, CONSEQUENTIAL, INDIRECT, SPECIAL OR PUNITIVE DAMAGES WHATSOEVER, INCLUDING WITHOUT LIMITATION DAMAGES FOR LOST PROFITS OR REVENUE, LOST BUSINESS OPPORTUNITIES, LOST OR INACCESSIBLE DATA OR INFORMATION, UNAUTHORIZED ACCESS TO DATA OR INFORMATION OR OTHER PECUNIARY LOSS, ARISING OUT OF OR RELATED TO THIS AGREEMENT, THE SUBJECT MATTER HEREOF OR THE AUTHORIZED OR UNAUTHORIZED USE OF OR INABILITY TO USE THE PRODUCT, WHETHER LIABILITY IS ASSERTED IN CONTRACT OR TORT (INCLUDING NEGLIGENCE AND STRICT PRODUCT LIABILITY) OR OTHERWISE AND IRRESPECTIVE OF WHETHER SANS DIGITAL HAS BEEN ADVISED OF THE POSSIBILITY OF ANY SUCH LOSS OR DAMAGE. IN NO EVENT SHALL SANS DIGITAL'S AGGREGATE LIABILITY UNDER THIS AGREEMENT OR ARISING OUT OF OR RELATED TO THE SUBJECT MATTER HEREOF EXCEED ONE HUNDRED DOLLARS (US\$100.00). Some jurisdictions do not allow the limitation of incidental or consequential damages so this limitation may not apply fully to Licensee, but such limitation shall apply to the maximum extent permitted by applicable law. Licensee acknowledges that the pricing of the Product and other terms and conditions of this Agreement reflect the allocation of risk set forth in this Agreement and that SANS DIGITAL would not enter into this Agreement without these limitations on its liability.

8. Termination. This Agreement is effective until terminated. Without prejudice to any other rights or remedies SANS DIGITAL may have at law or in equity, SANS DIGITAL may immediately terminate this Agreement if Licensee fails to comply with any term or condition of this Agreement. Upon termination of this Agreement, Licensee shall immediately discontinue the use of the Product and at SANS DIGITAL's option, return to SANS DIGITAL and/or certify destruction of the Product and any related materials provided to Licensee by SANS DIGITAL, and all full or partial copies thereof (whether in tangible or intangible form), in Licensee's possession or control. Licensee may also terminate this Agreement at any time by providing written notice to N23 and certifying destruction of the Product and all full or partial copies thereof (whether in tangible or intangible form) in Licensee's possession or control.

9. General. With Licensee's Acceptance Licensee agrees to be bound by the terms and conditions set forth in this Agreement and Licensee acknowledges that it has read and understands this Agreement. Licensee further agrees that this Agreement is the complete and exclusive statement of the understanding between SANS DIGITAL and Licensee which supersedes any proposal or prior agreement, oral or written, and any other communication between SANS DIGITAL and Licensee relating to the subject matter of this Agreement. This Agreement may not be modified except in a writing duly signed by an authorized representative of SANS DIGITAL and Licensee. If any provision of this Agreement is held to be unenforceable for any reason, the remaining provisions hereof shall be unaffected and shall remain in full force and effect. This Agreement shall be governed by and construed in accordance with the laws of the United States and the State of California as such laws are applied to contracts between California residents entered into and to be performed entirely within California. The United Nations Convention on Contracts for the International Sale of Goods shall not apply to this Agreement. Licensee hereby submits to the sole and exclusive jurisdiction of, and waives any venue objections against, the United States District Court for Northern California and the Superior Court of the State of California for the County of Santa Clara and the Santa Clara Municipal Court in regard to all disputes and litigation arising under or relating to this Agreement. Licensee's rights and obligations under this Agreement shall not be assignable, delegable, sub-licensable or otherwise transferable, whether voluntarily, by operation of law or otherwise, without SANS DIGITAL's prior written approval except as provided herein. SANS DIGITAL may freely assign this Agreement and/or its rights and obligations hereunder. Should you have any questions concerning this Agreement, or if you desire to contact SANS DIGITAL for any reason, please visit: www.sansdigital.com

10. U.S. Government Restricted Rights. If Licensee is an agency or instrumentality of the United States Government, the software and documentation associated with the Product are "commercial computer software" and "commercial computer software documentation", and pursuant to FAR 12.212 or DFARS 227.7202, and their successors, as applicable, use, reproduction and disclosure of the Product and its associated software and documentation are governed by the terms of this Agreement.

11. Export Law Assurances. Licensee will not use or otherwise export or re-export the Product except as authorized by United States laws and regulations, including without limitation those of the U.S. Department of Commerce, and, as applicable, the laws and regulations of other jurisdictions.

Copyright © 2009 - 2016 Sans Digital. ALL RIGHTS RESERVED.

HARDWARE INFORMATION

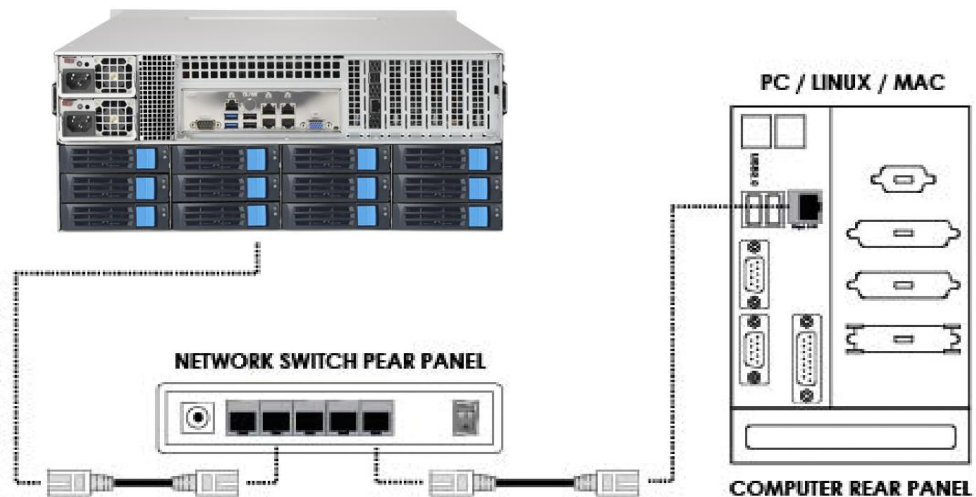
PACKAGE CONTENTS

- EliteNAS Storage unit x1
- Power Cords x2
- Manual / CD x1
- Removable Tray Modules (Screws Included) -
 - For EN208L12 x8
 - For EN212L12 x12
 - For EN316L12 x16
 - For EN424L12 x24
 - For EN436L12 x36

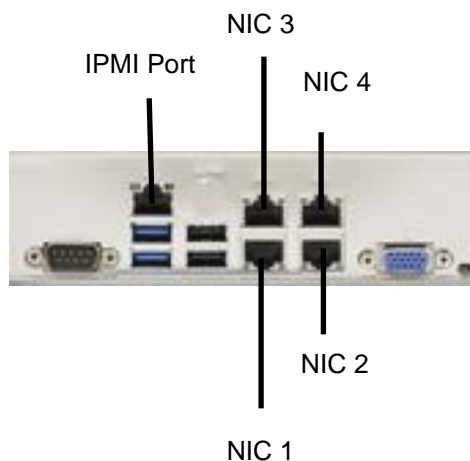
NOTE: Please contact Sans Digital in case of missing or damaged items.

HAREWARE CONNECTION DIAGRAM

EN436L12 Example



Backplane Details



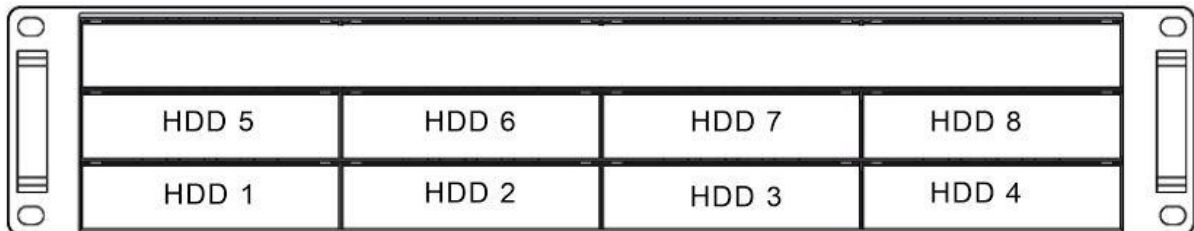
HARD DRIVE INSTALLATION

1. Push the Blue button on the right-side of the hard drive tray to the left releasing the hard drive tray handle.
2. Pull on the tray handle to remove the tray from the enclosure.
3. Place a hard drive into the tray and line it up with the holes on the hard drive tray.
4. Fasten the hard drive to the tray using the provide screws and a Philips screw driver.
5. Place the tray back into the enclosure and lock the tray by pushing in the tray handle until it clicks into place.

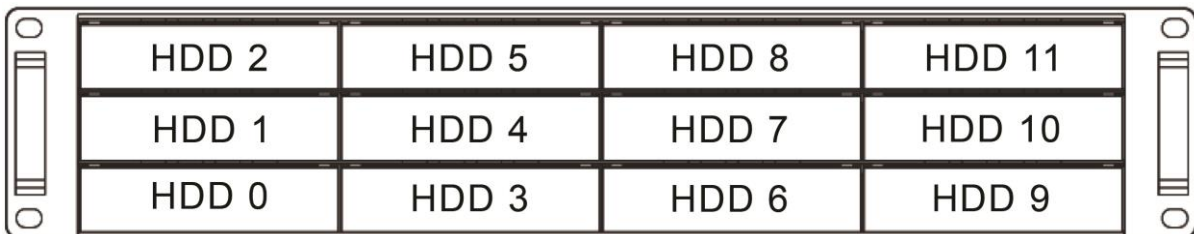


HARD DRIVES LOCATION DIAGRAM

EN208L12



EN212L12



EN316L12



EN424L12

HDD 5	HDD 11	HDD 17	HDD 23
HDD 4	HDD 10	HDD 16	HDD 22
HDD 3	HDD 9	HDD 15	HDD 21
HDD 2	HDD 8	HDD 14	HDD 20
HDD 1	HDD 7	HDD 13	HDD 19
HDD 0	HDD 6	HDD 12	HDD 18

EN436L12 -
FRONT

HDD 5	HDD 11	HDD 17	HDD 23
HDD 4	HDD 10	HDD 16	HDD 22
HDD 3	HDD 9	HDD 15	HDD 21
HDD 2	HDD 8	HDD 14	HDD 20
HDD 1	HDD 7	HDD 13	HDD 19
HDD 0	HDD 6	HDD 12	HDD 18

BACK

HDD 2	HDD 5	HDD 8	HDD 11
HDD 1	HDD 4	HDD 7	HDD 10
HDD 0	HDD 3	HDD 6	HDD 9

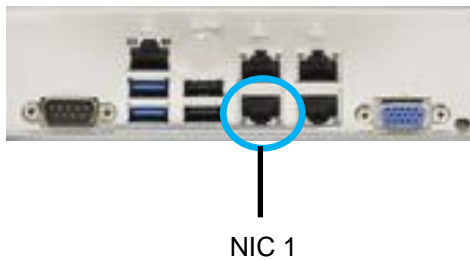
SETUP AND BASIC CONFIGURATION

DEFAULT SETTINGS:

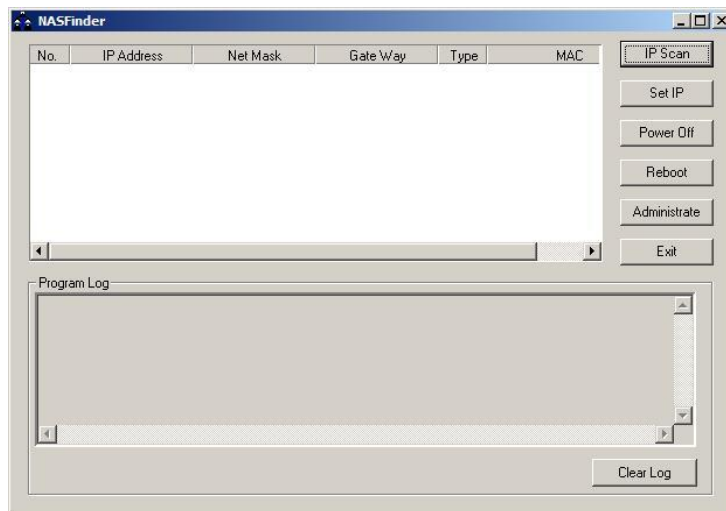
LAN Port#1 IP address: **DHCP**
Administrator Username: **root**
Password: **0000** (4 zeros)

INITIAL SETUP – Assigning IP to the Unit

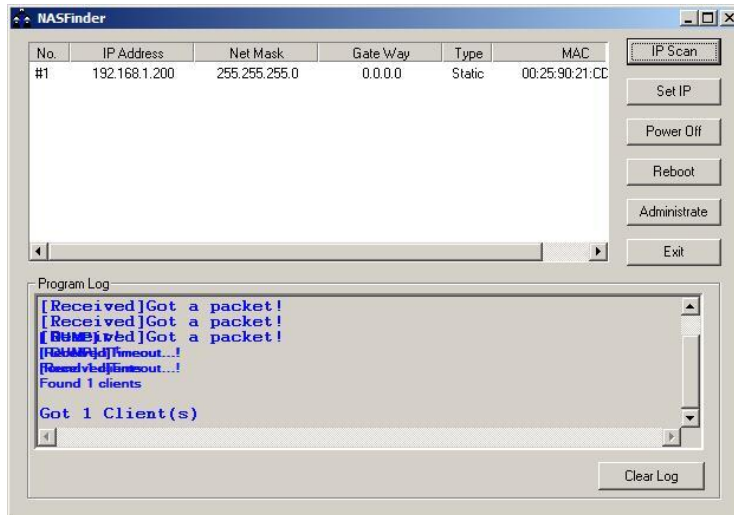
1. Connect the NAS unit to your network (connect the RJ45 network cable to the LAN port 1 as shown in the diagram below), power the unit on and allow it approximately two (2) minutes to boot up.



2. Go to a computer that connected to the same network as the NAS unit. Insert the included CD into the CD-ROM drive of the computer. Copy the “NAS-Finder.exe” to the computer and run “NAS-Finder.exe” to locate the NAS unit. This software will allow you to assign an IP address to the NAS unit.
3. After executing the NAS-FINDER program, a box will appear with the main menu.



4. To view client (NAS unit) information, press the IP Scan button. The dialog box will display each detected NAS unit along with their network settings. A number is assigned to each detected unit, starting from #1. In the example below, Client #1, an EliteNAS unit is detected, with IP address 192.168.0.200.



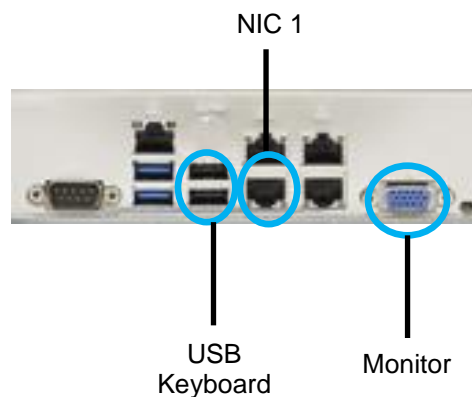
NOTE: Information, such as MAC address, IP address, NETMASK and etc, may be different from system to system.

NOTE: DHCP is pre-defined for LAN port-1. DHCP is used to quickly assign a local IP to the NAS unit. Changing the IP address to a static IP address is strongly recommended for daily operations.

You may change the IP once you have logged in under the Network -> TCP/IP Tab.

Console Login – Assigning IP to the NAS from the Console

If the NAS unit could not be detected via the NAS-Finder Utility, console login could be used for detection by connecting a keyboard and monitor to the NAS unit. (**Note: IPMI also available. For detail, please refer the last section of this manual.**)



Power on the NAS unit and command line interface will prompt the user to enter a username and a password. The default settings are as below:

Username: root
Password: 0000

1. To assign an IP address to LAN Port-0, type the following:

```
#ifdown eth0
#ifconfig eth0 10.1.1.100
#ifconfig eth0 netmask 255.255.255.0
#ifup eth0
```

The above command will assign the LAN Port IP to: 10.1.1.100 and assign Netmask to: 255.255.255.0. Change the IP address and network mask (numbers in bold) to your network settings.

2. To display current Gateway setting, type the following:

```
#route
```

To assign a Gateway address to LAN Port-0. type the following:

```
#route add default gw 10.1.1.1
```

The above command will assign the Gateway address to 10.1.1.1. Please change the Gateway address (numbers in bold) to your network setting.

Web Login (http/https Login)

Once the IP address has been set, you could now access the Administrator GUI remotely. In a web browser, type in the assigned IP address (or simply type: 'EliteNAS') and enter the following username and password:

User ID: root
Password: 0000



SANS DIGITAL

Login

User Name

Password

System Information
(IP:192.168.1.28)
Version:2.0-2559
Time: 2016/03/29 2:47:12
uptime:19minutes

Customer Support

Phone
800-980-1988

Email
info@sansdigital.com

2010-2016 Copyright Sans Digital All Rights Reserved. [Help](#) [Support](#) [Back to Top](#)

Volume Management

Before Getting Started


- 1, **Assign IP to the EliteNAS unit**, please follow the quick start guide and setup using NAS-Finder utility.
- 2, **Connect the NAS from Web GUI**, if you have problem to connect, make sure the **Java Runtime** is installed. It allows the managing station (such as your laptop) to communicate with the NAS during NAS reboot, and gives the accurate countdown to auto-reconnect with the Web GUI. Java Runtime can be found in the manual CD.
- 3, From your managing station, open up the Web Browser, and type in the IP address which you defined from the **NAS-Finder** in such as: **192.168.1.128**

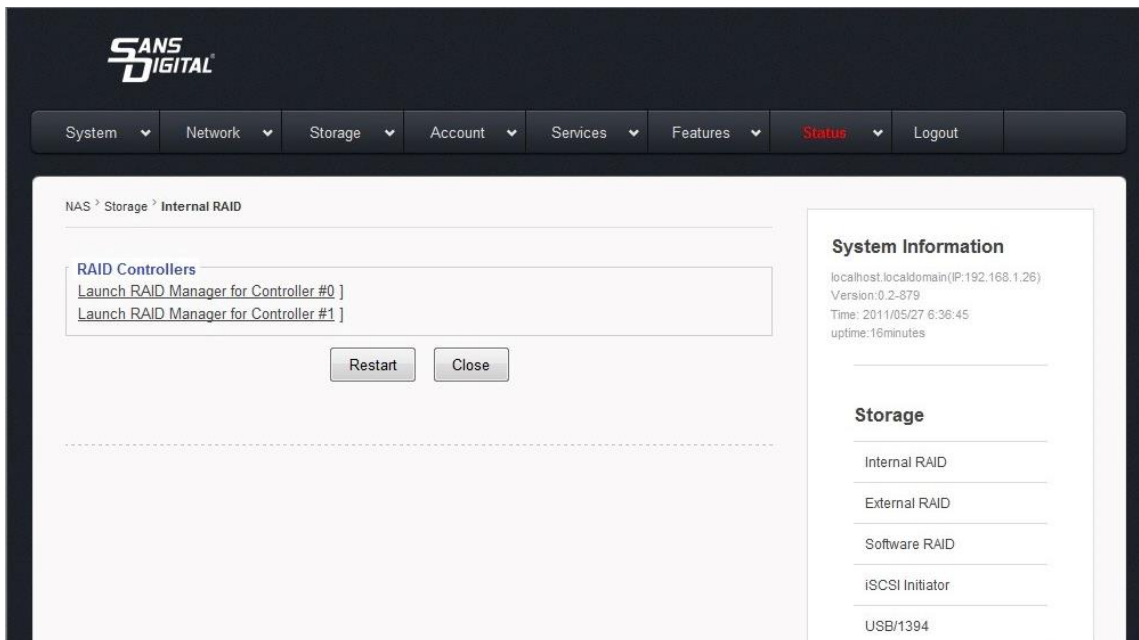
Login ID: root
Password: 0000

Setup Volume Sharing

Step-1: Select “Storage” -> Internal RAID

Step-2: Select the controller for creating the RAID. In this example, you have 2 controllers. Please select the controller accordingly.

 Note: For more details on the RAID controller, please refer to the **MANUAL RAID_User-Guide** on the CD.



The screenshot displays the Sans Digital Web GUI interface. At the top, there is a navigation menu with tabs for System, Network, Storage, Account, Services, Features, Status, and Logout. The main content area is titled "NAS > Storage > Internal RAID". Below this title, there is a section for "RAID Controllers" with two links: "Launch RAID Manager for Controller #0" and "Launch RAID Manager for Controller #1". Below these links are "Restart" and "Close" buttons. On the right side, there is a "System Information" panel showing details like localhost.localdomain (IP:192.168.1.26), Version:0.2-879, Time: 2011/05/27 6:36:45, and uptime:16minutes. Below that is a "Storage" panel with options for Internal RAID, External RAID, Software RAID, iSCSI Initiator, and USB/1394.

This will bring up the RAID controller GUI.

Default RAID Web GUI Login:

User ID: admin
Password: 0000



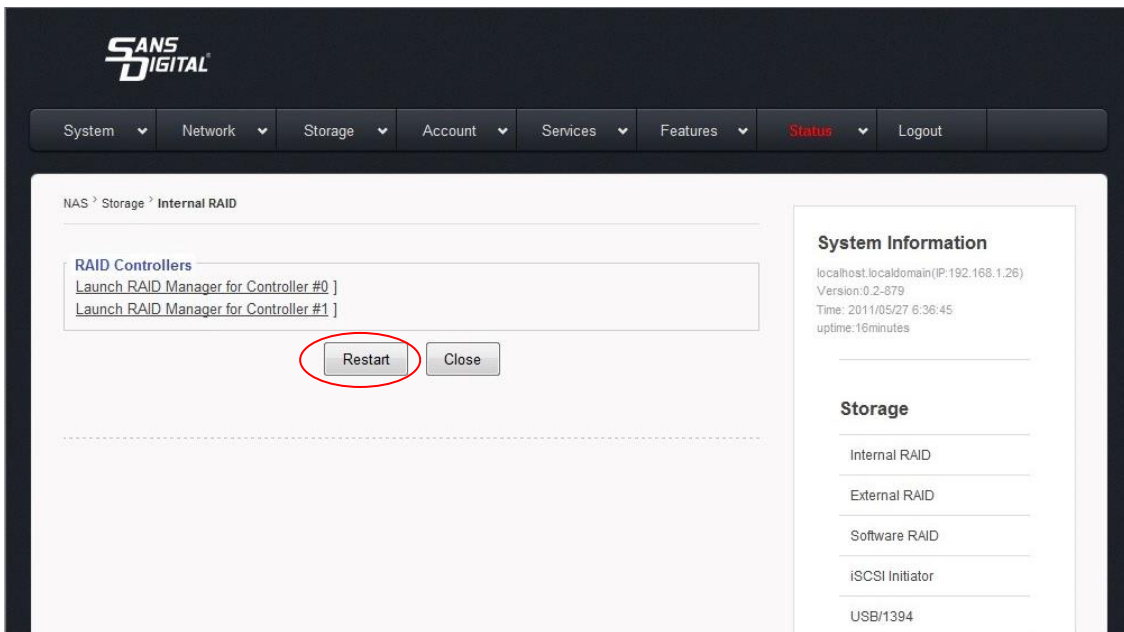
The RAID controller card setup interface will open a new window. Please create the volume by the following:

- A, Create RAIDset Group by select "RaidSet Functions" -> "Create Raid Set"
- B, Create Volume(s) set by select "VolumeSet Functions" -> "Create VolumeSet"

 **Note:** If the volume size is Greater Than 2TB, please select "64bit LBA" option.

- C, Volume Initialization will start now. The process will take hours before it finish. Alternative, you can use background initialization, which allow you to use the volume while initialization.

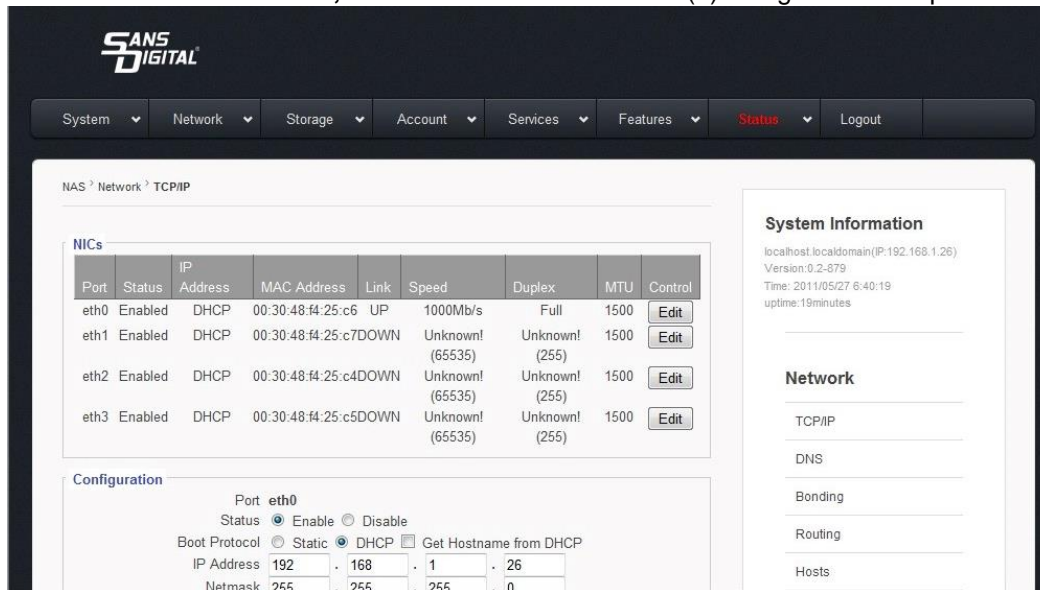
After Volume created, please close the RAID controller windows and click "**Restart**" for the volume(s) to take effect.



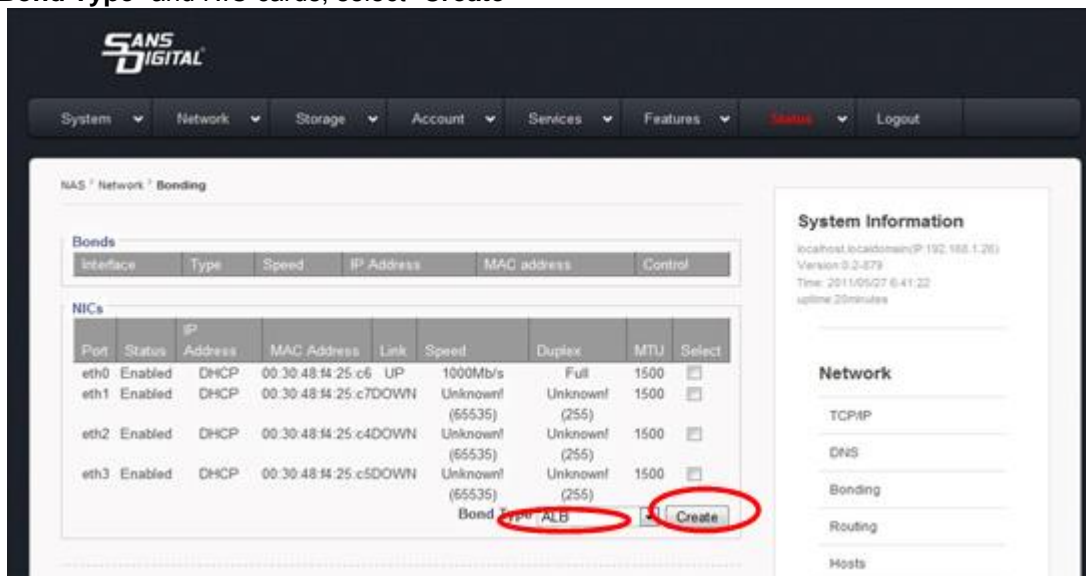
Note: For more details on the RAID controller, please refer to the **MANUAL\RAID_User-Guide** on the CD.

Step-3: Setup Network Interface, bonding and Network Services

1, After the EliteNAS restarted, Select “Network” “TCP/IP” (1) Assign IP to NIC ports



2, Configure NIC ports Bonding (teaming) Mode under “Network -> Bonding”. After select the “Bond Type” and NIC cards, select “Create”



3, Enable/Disable Network services/protocols under their Networking Section. You can choose from the following:

Service -> SMB / CIFS - Workgroup/Domain/ADS service for Windows clients

Service -> NFS – NFS service and NIS Service

Service -> AFP / AppleTalk – AFP Service

Service -> iSCSI – iSCSI Service

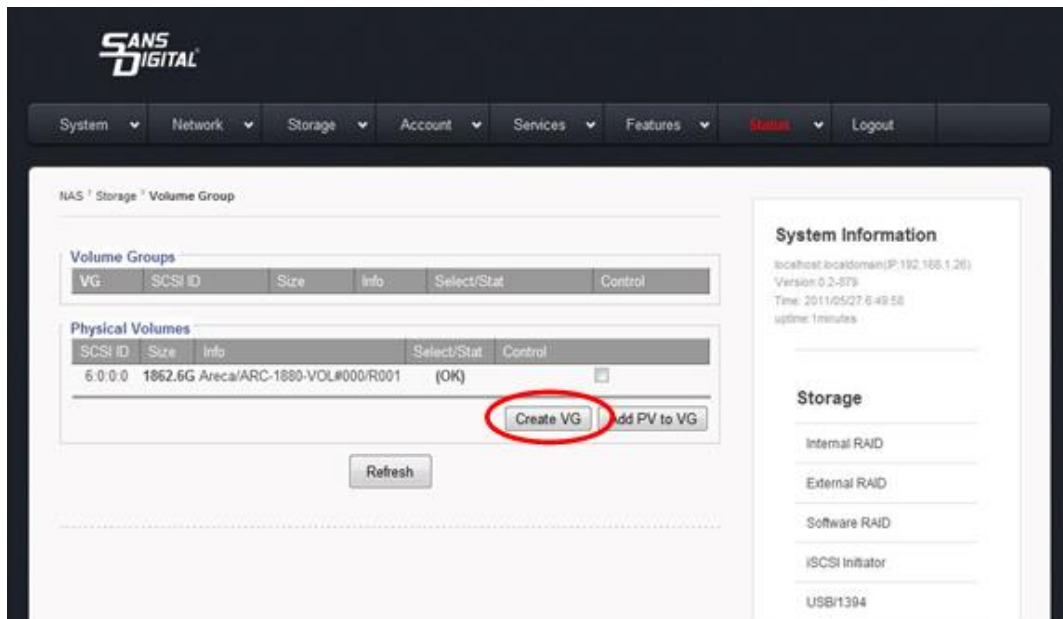
Feature -> DHCP – Enable DHCP services

Feature -> FTP – Enable

FTP Services

By default, CIFS service is enabled, if you want to disable it, please refer to the NAS-Administrator Guide for detail.

**Step-4: Convert Raw Volume (RV) to Physical Volume (PV) and Logical Volume (LV)
Select “Storage Manager”, “Volume Group Manager”**



PV – Physical volume; It is the Volume that EliteNAS writes the signature on and allow to create Logical Volume.

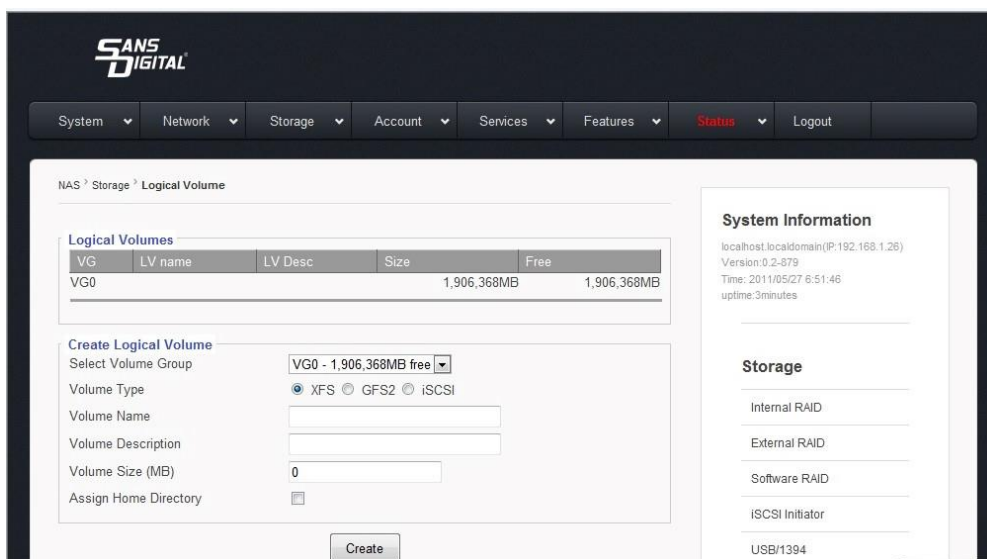
LV – Logical volume; Network Shares or iSCSI Target Volumes will be built on top of it.

After you created the RAID Volume, there will be a **PV** available. Put a check mark on the “OK”, and click “**Create LV**”. Select “OK” to confirm.

Step-5: Setup Logical Volume (LV)

Select “Storage” -> “Logical Volume”. **LV** is the NAS share folder, or the iSCSI target. Enter the desire setting for the NAS setting, such as Share Name, Sizes and description and press “Create”.

⚠ Note: the **Volume-Name** (LV name) will be your network share name. The **Volume size** (LV size) will be your network share size.



After the Logical Volume setup, the unit is ready to start sharing. The following example will allow administrator to create and share under Microsoft Windows Workgroup and Mac (AFP) Clients environment. More information on different environments can be found **MANUAL\NAS_ADMIN_Guide**.

1, Windows Workgroup Client and Mac Clients User Setup

Select “Account”, “Local User”, Create Users

Note: This is for Windows Workgroup clients (who is not a Domain user or ADS user), and also for Mac clients only. Domain or ADS user will requires to setup the Domain / ADS information under “Account”, “ADS”

The screenshot shows the SANS DIGITAL NAS Admin interface. The top navigation bar includes: System, Network, Storage, Account, Services, Features, Status, and Logout. The breadcrumb path is NAS > Account > Local User. The main content area is divided into two sections: 'User List' and 'Create'. The 'User List' section contains a table with columns: User Name, UID, Home, and Control. The 'Create' section has input fields for: User Name (with a note '(upto 31)'), Password (with a note '(upto 128)'), Confirm Password, and Home (with a value of 'N/A'). A 'Create' button is located below the 'Create' section. On the right side, there is a 'System Information' panel showing: localhost.localdomain(P:192.168.1.26), Version:0.2-879, Time: 2011/05/27 6:53:51, and uptime:5minutes. Below that is an 'Account' panel with fields for: Local User, Local Group, ADS, NIS, and LDAP.

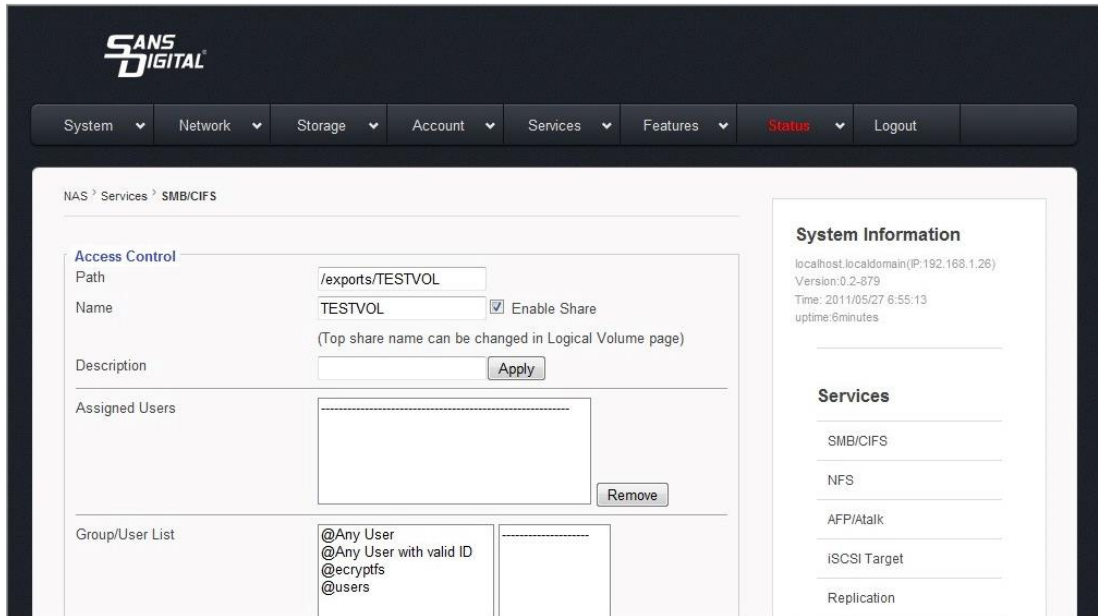
2, Select “Service” -> “SMB/CIFS”

- Pick a Volume (Network Share), and click “Edit”
- Assign the desired user to the “Assigned User List”.

Note: By assigning a user specifically to the “Assigned User List”, it will deny all other users who are not on the “Assigned User List”.

Note: “Read/Write” \neq “Full control”. User with “Read/Write” privilege can read and write files in the volume/share, but the user can not delete the file(s).

Please restart the unit after the first user setup to take the effect.



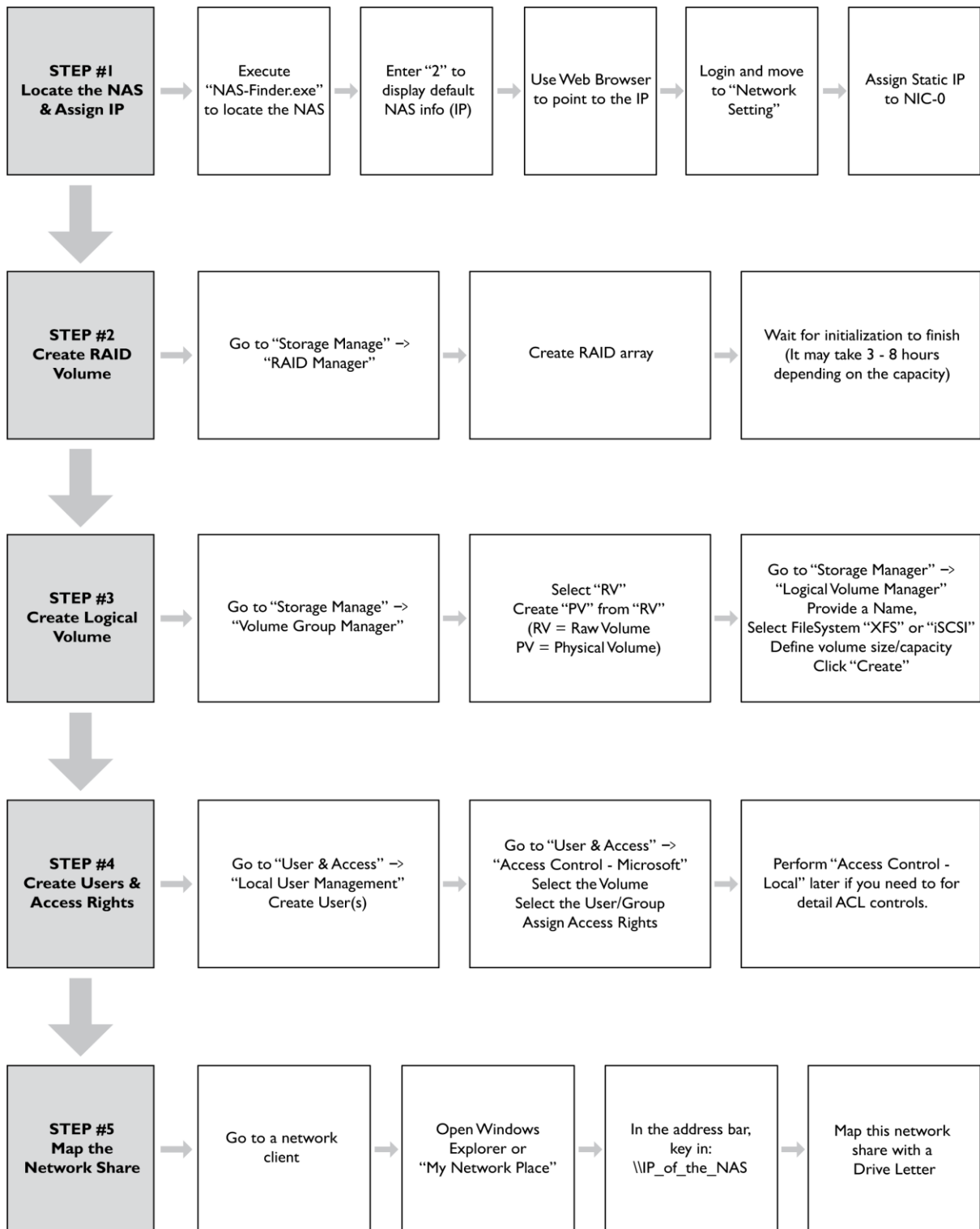
3, Access the Share/Volume on the NAS from Windows Client

From a Windows Client, launch the **Windows Explorer**

AT the Address Bar, type: \\IP\vol_1 (such as: \\192.168.1.128\vol_1) or \\EliteNAS\vol_1

Where IP (192.168.1.128) is what you assigned to the NIC on the NAS, and “vol_1” is the volume/share name you created during **Step5, Setup Logical Volume (LV)**.

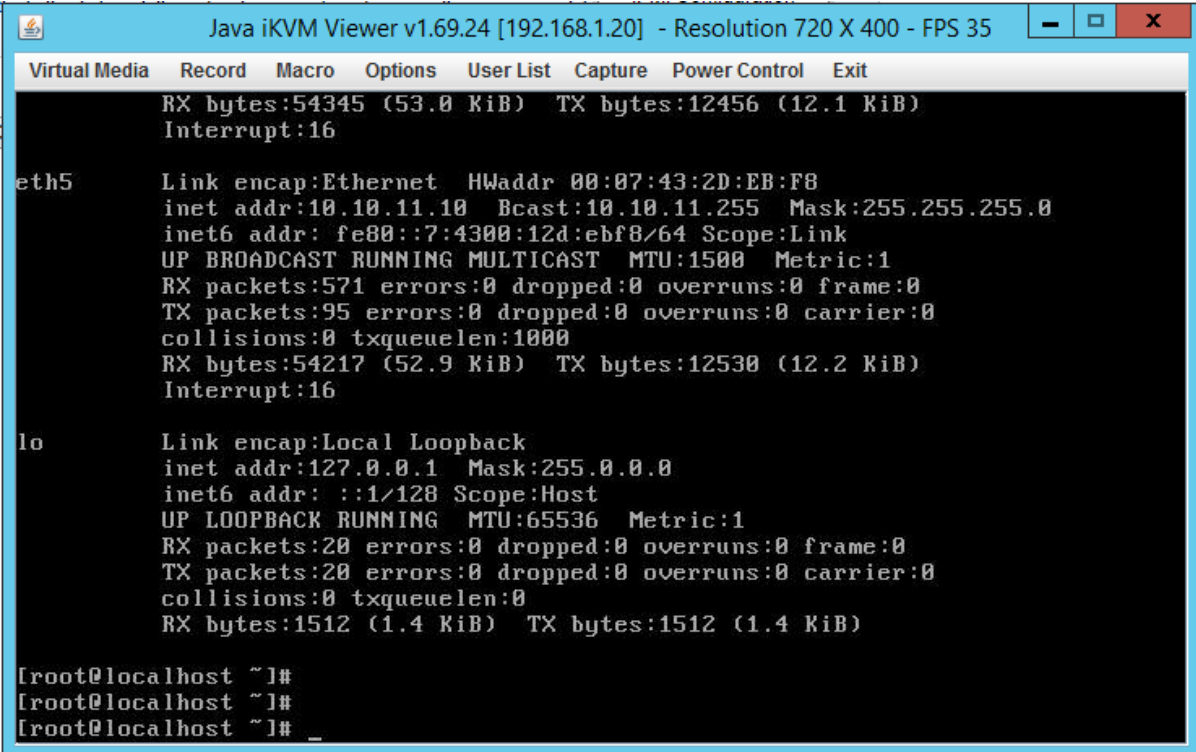
The unit is sharing a Logical Volume to client. If more sharing is required, please repeat **Step-5, Setup Logical Volume (LV)**.



REPLACE LOCAL KEYBOARD AND MONITOR – IPMI and SSH/TELNET

IPMI – Intelligent Platform Management Interface

IPMI is an IP and WEB based management interface allowing the NAS unit to remote power on, power down, reset as well as remote control using Console Redirection. Console Redirection replace local keyboard and monitor, using WEB based interface instead of physically keyboard and monitor connection, to allow administrator remotely access the NAS's CLI as if they are in front of the unit.



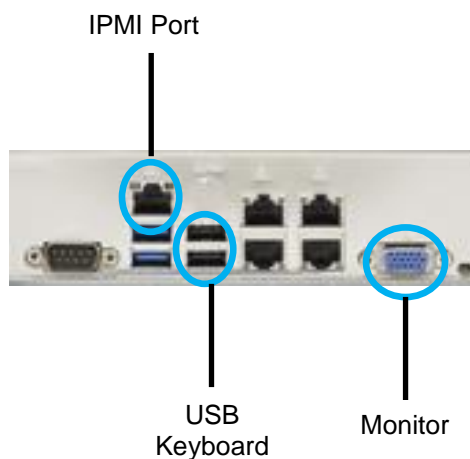
```
Java iKVM Viewer v1.69.24 [192.168.1.20] - Resolution 720 X 400 - FPS 35
Virtual Media Record Macro Options User List Capture Power Control Exit
RX bytes:54345 (53.0 KiB) TX bytes:12456 (12.1 KiB)
Interrupt:16

eth5
Link encap:Ethernet HWaddr 00:07:43:2D:EB:F8
inet addr:10.10.11.10 Bcast:10.10.11.255 Mask:255.255.255.0
inet6 addr: fe80::7:4300:12d:ebf8/64 Scope:Link
UP BROADCAST RUNNING MULTICAST MTU:1500 Metric:1
RX packets:571 errors:0 dropped:0 overruns:0 frame:0
TX packets:95 errors:0 dropped:0 overruns:0 carrier:0
collisions:0 txqueuelen:1000
RX bytes:54217 (52.9 KiB) TX bytes:12530 (12.2 KiB)
Interrupt:16

lo
Link encap:Local Loopback
inet addr:127.0.0.1 Mask:255.0.0.0
inet6 addr: ::1/128 Scope:Host
UP LOOPBACK RUNNING MTU:65536 Metric:1
RX packets:20 errors:0 dropped:0 overruns:0 frame:0
TX packets:20 errors:0 dropped:0 overruns:0 carrier:0
collisions:0 txqueuelen:0
RX bytes:1512 (1.4 KiB) TX bytes:1512 (1.4 KiB)

[root@localhost ~]#
[root@localhost ~]#
[root@localhost ~]#
```

Each EliteNAS L12 series equipped with a dedicated IPMI port. To use IPMI feature, you will need to connect the IPMI port to your network, and setup IP address.



To enable IPMI:

- 1, Connect keyboard and monitor to setup IP address in the BIOS. Connect IPMI Port to your network switch. It is recommended to separate to have different subnet than your data network.
- 2, Power on the NAS unit, press to go into the BIOS. The key legends is on the right hand side of the panel, and you can use up, down, left, right arrow keys to navigate.
- 3, Go to IPMI submenu, select BMC Network Configuration.



4, Change to “Yes” for system BIOS to automatically reset the following IPMI settings upon next system boot.

5, **Configuration Address Source (Available when the item above - Update IPMI LAN Configuration is set to Yes).** Use this item to select the IP address source for this computer. If Static is selected, you will need to enter the IP address to the system manually in the field. If DHCP is selected, the units will search for a DHCP (Dynamic Host Configuration Protocol) server attached to the network and request the next available IP address for this computer.

6, IP address and other information will show in the BIOS, or when you reboot. **This is the IP address that use on the WEB interface for log-in.**

Note: JAVA Runtime is required. Please install it before the next step.

7, Using a WEB browser in the same IPMI network, type the IP address. The log-in screen will appear with the following default username and password:

Default Username: ADMIN (case sensitive)

Default Password: ADMIN (case sensitive)

Please Login

Username ADMIN

Password

login

8, After log-in, you can Power On, Power Down and Reset the unit remotely. You can also use Console Redirection for CLI management to replace local console login using monitor and keyboard.

SSH & Telnet Login

By default, SSH and Telnet logins are enabled. SSH and Telnet logins are used to replace local console login using monitor and keyboard. In order to enable or disable these features, login using a local console and type the following:

To Disable Telnet:

```
#mv /etc/xinetd.d/telnet /root
#service xinetd restart
```

To Disable SSH:

```
# service stop sshd
# chkconfig --level 345 sshd off
```

To Enable SSH:

```
# chkconfig --level 345 sshd on
# service start sshd
```

To use SSH or TELNET, a client program is required. PUTTY is the recommended application for SSH and TELNET.

Please download PUTTY at: <http://www.putty.org/>