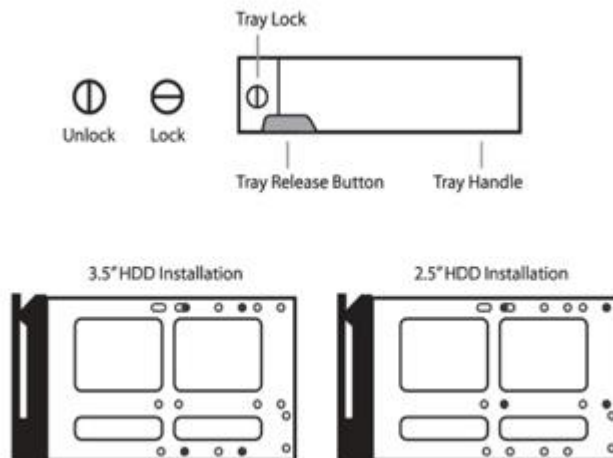


AccuSTOR 12G Series Quick Installation Guide

Hard Drive Installation

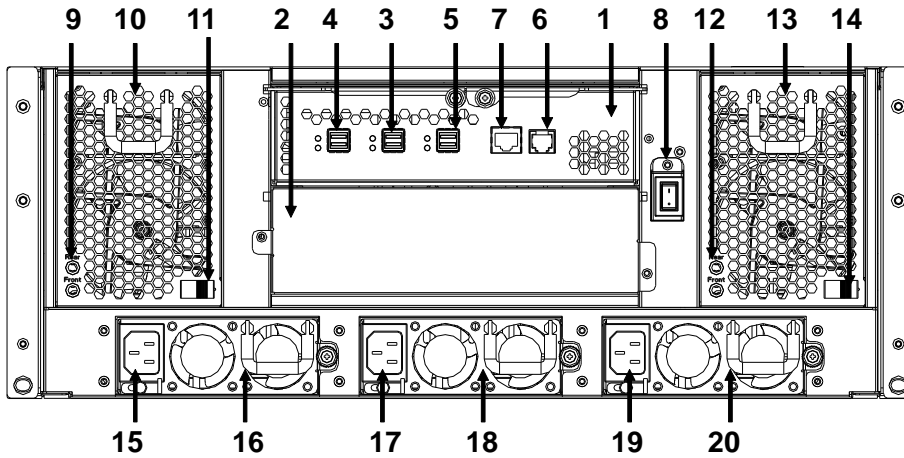
1. Make sure the tray is at unlock position. If the tray is locked, turn the lock clockwise using the provided key.
2. Press the button on the tray to eject the handle
3. Place the hard drive in the tray, and fasten it with the screws (included in the package) in corresponding locations at the bottom of the tray.
4. Place the tray into the enclosure and insert the tray by pushing in the tray handle.
5. Lock the tray if desire, using the provided key, by turning the lock counter-clockwise.

NOTE: Tray support both 2.5" and 3.5" hard drives. Please use the correct hard drives holes.

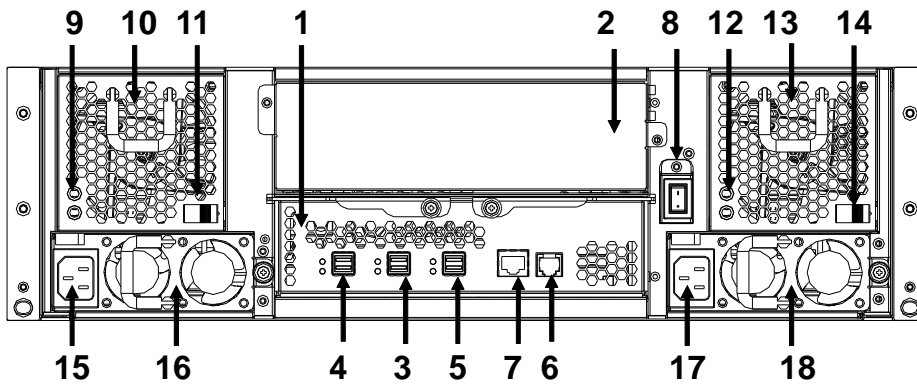


Product Diagrams

Unit Backplane – AS424X12S / AS424X12R



Unit Backplane - AS316X12S / AS316X12R



- 1. Expander Box 1.
- 2. Expander Box 2
- 3. SAS CH 0 & LED Indicator

LED	Colors	Indicate
SAS	Green	Link
	Blue + Blink	Access

- 4. SAS Expand Port 1 & LED Indicator

LED	Colors	Indicate
SAS	Green	Link
	Blue + Blink	Access

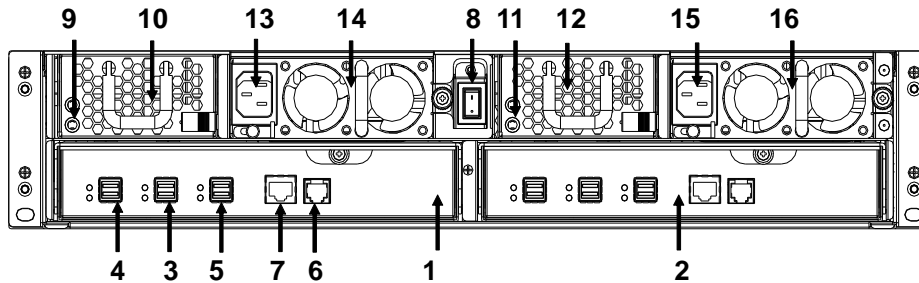
- 5. SAS Expand Port 0 & LED Indicator

LED	Colors	Indicate
-----	--------	----------

SAS	Green	Link
	Blue + Blink	Access

6. Console (Terminal Port)
7. Reserved
8. Power Switch
9. FAN failure indicator (Rear / Front)
10. FAN Module 1
11. FAN Module 1 latch
12. FAN failure indicator (Rear / Front)
13. FAN Module 2
14. FAN Module 2 latch
15. AC inlet 1 & Latch
16. Power Module 1
17. AC inlet 2 & Latch
18. Power Module 2

Unit Backplane – AS212X12S / AS212X12R



1. Expander Box 1.
2. Expander Box 2
3. SAS CH 0 & LED Indicator

LED	Colors	Indicate
SAS	Green	Link
	Blue + Blink	Access

4. SAS Expand Port 1 & LED Indicator

LED	Colors	Indicate
SAS	Green	Link
	Blue + Blink	Access

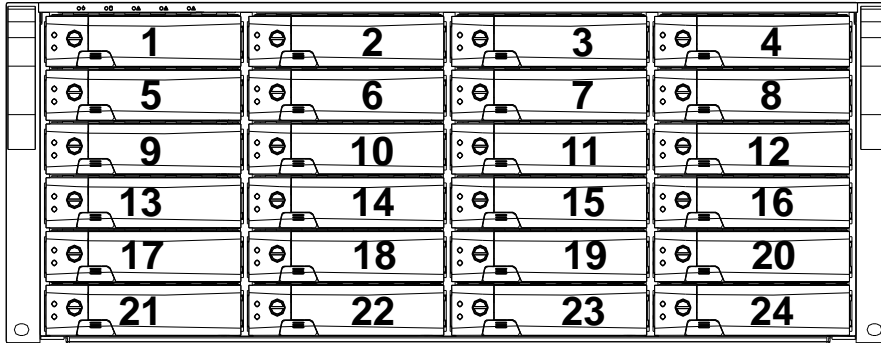
5. SAS Expand Port 0 & LED Indicator

LED	Colors	Indicate
SAS	Green	Link

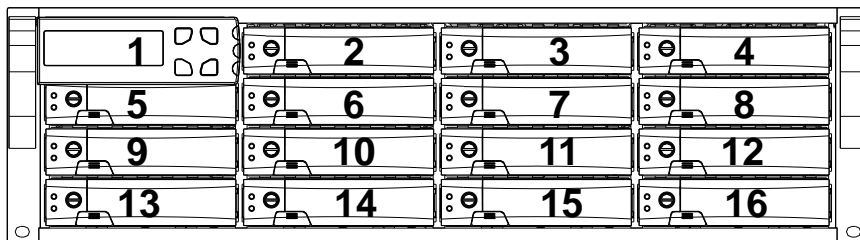
	Blue + Blink	Access
--	--------------	--------

- 6. Console (Terminal Port)
- 7. Reserved
- 8. Power Switch
- 9. FAN failure indicator 1.(Rear / Front)
- 10. FAN Module 1
- 11. FAN failure indicator 2 (Rear / Front)
- 12. FAN Module 2
- 13. AC inlet 1 & Latch
- 14. Power Module 1
- 15. AC inlet 2 & Latch
- 16. Power Module 2

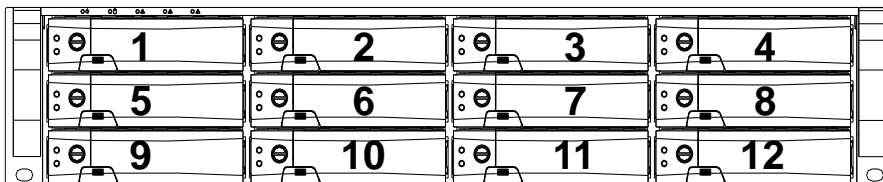
Hard Drive Locations – AS424X12S / AS424X12R



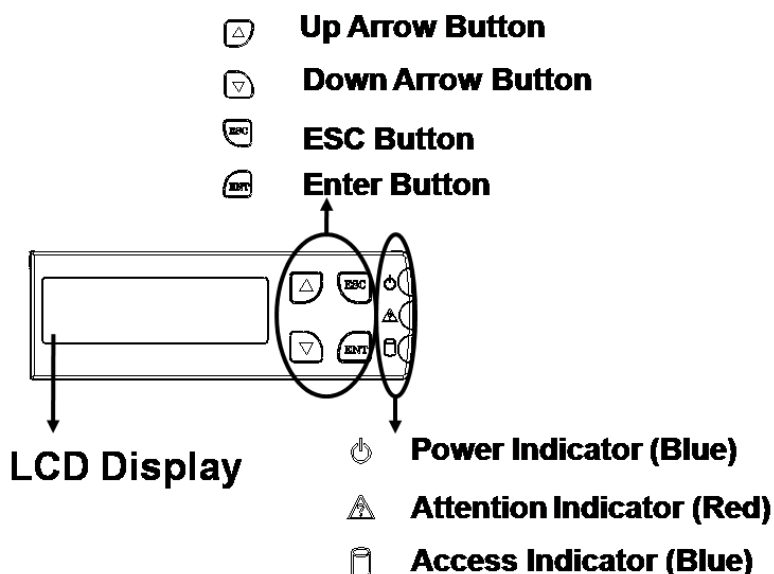
Hard Drive Locations – AS316X12S / AS316X12R



Hard Drive Locations – AS212X12S / AS212X12R



LCD Modules



Function keys. (ENT, ESC, Scroll up, Scroll Down)

Keys	Descriptions
Up Arrow	To scroll upward through the menu items
Down Arrow	To scroll downward through the menu items
(ENT) Enter	To confirm a selected item
(ESC) ESC	To exit a sub-menu and return to previous menu.

Install AccuRAID RAID subsystem in a Rack

A rackmounting kit is bundled with AccuRAID subsystem. AccuRAID subsystem is designed for installation into an industry-standard 19-inch rackmount cabinet. Following below section for installing the AccuRAID subsystem into a rackmount:

Install the Slide Rails

1. Combine Left slide rail and rear slide rail.
2. Measure the depth of the rack enclosure, then fasten 4 of P4*8M screws into M4 Locking nuts to fix the length.
3. Use T5*8M screws and PW14 washer to install the left slide on Front and rear Posts of Rack as Figure 1.
4. repeat procedure 1 ~ 3 to install the right Slide into the Rack.

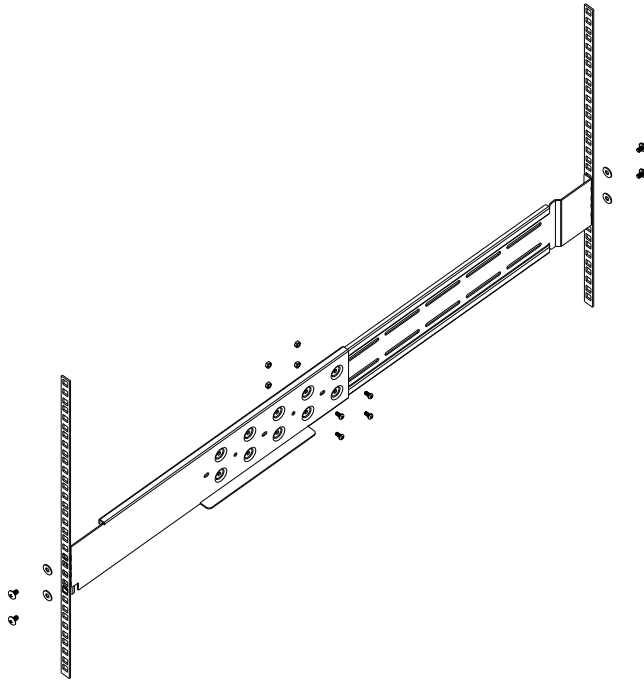


Figure 1.

Place the AccuRAID Subsystem into the rack

1. Lift the subsystem enclosure and slide it slowly and gently along the slide rail into the rack as Figure 2.

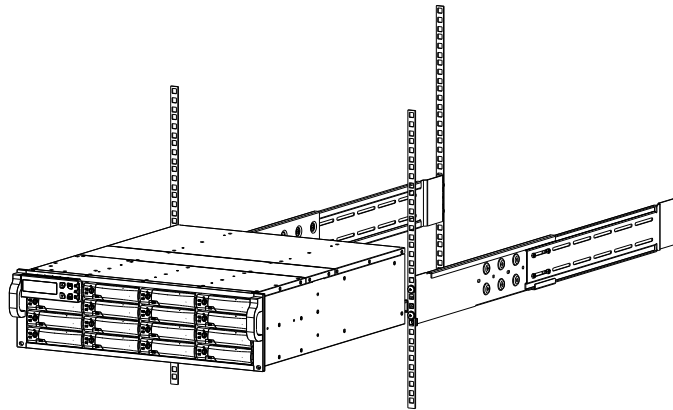


Figure 2.

2. Fasten two M5 screws through the chassis ears in the front side of the chassis to secure the AccuRAID subsystem in the rack as Figure 3.

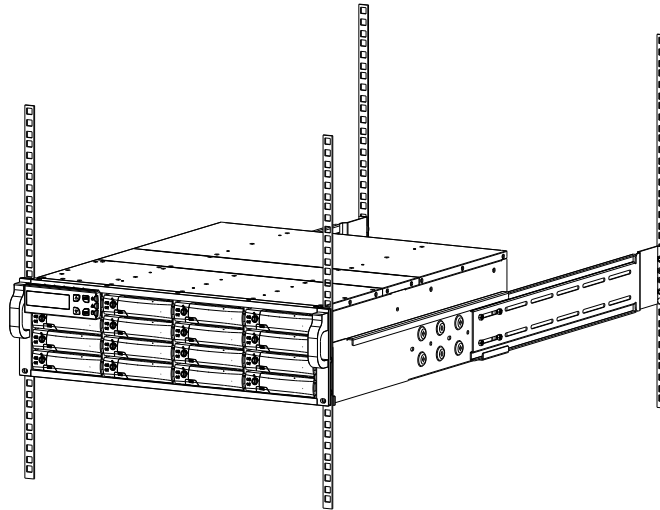


Figure 3.

Hardware Connection Instructions

1. Power off all devices.
2. Connect the host connection cables. For mini-SAS models (AR212X6(R), AR316X6(R) and AR424X6(R)) connect the SAS cables to the SAS HBA on the server. For Fibre Channel models (AR212F8(R), AR316F8(R) and AR424F8(R)), connect the SFP+ modules and LC to LC cables to the Fibre Channel HBA on server, or connect to the Fibre switches.
3. Connect the LAN cable to the local network. Make sure it is on the same network of the host computer/server. Web based management can reach as long as they are on the same network.
4. Connect the power cable. Please make sure connect each redundant power supply with the power cables. The use of UPS, uninterrupted power supply, is higher recommended.
5. Connect AccuSTOR Expansion JBOD system if desire. Please refer to below diagrams for connections.

Management Methods

There are two management methods to manage AccuSTOR series, describe in the following:

Console Serial Port

Use NULL modem cable to connect console port of the RAID subsystem.

The console setting is baud rate: 115200, 8 bits, 1 stop bit, and no parity.

Terminal type: vt100

Login name: admin

Default password: 0000

LCD Module

All of the features within web based management GUI and console serial port can be accessed using the front LCD display.

Default password: 0000

Controllers, Hard Drives and Front LED indicators

For the host connections port LED indicators(Fibre channel and SAS port):

LED	Colors	Indicate
FC/SAS	Green	Link
	Blue + Blink	Access

For Raid Controller Status LED & Fault LED Indicator:

LED	Colors	Indicate
Status	Green + Blink	Raid Controller OK
Fault	Red	Raid Controller Fault

For SAS Expand Port LED Indicator:

LED	Colors	Indicate
SAS	Green	Link
	Blue + Blink	Access

For Front Panel LED indicator:

LED Indicator	Normal Status	Problem Indication
Power On indicator	Bright Blue	This LED does not light up after power switched on
Fail Indicator	LED never light up	LED light up as Red.
Data Access Indicator	Blink blue during host computer accessing the RAID subsystem.	LED never flickers

Hard Drives Trays LED indicator:

LED Indicator	Normal Status	Indicate
Power / Access LED	Solid Blue	Link
	Flashing Blue	Access
Fail LED	No LED	Normal
	RED	Hard Drives Failure

Detail Manuals

Both detailed hardware and software installation manual is located on the CD. Please refer to detail manuals for hardware installations, RAID setup, software setup as well as trouble-shooting information.